

Recommended PCB Layout
[TOP VIEW]

6	POWER	1	C2680	Au	PLATED
5	POWER PIN	1	C5210	Au	PLATED
4	GROUND PIN2	1	C5210	Au	PLATED
3	GROUND PIN1	1	C5210	Au	PLATED
2	SHIELD	1	C2680	Ni	PLATED
1	HOUSING	1	PA9T		
LTR	PART NAME	QTY	MATERIAL	REMARK	

UNLESS OTHERWISE SPECIFIED, TOLERANCE ON DECIMAL: ± 0.3

MORETHANALL
PCB CONNECTORS
Cable ASSEMBLIES
煜倫股份有限公司

www.morethanall.com

RoHS Compliant

DRAWING BY CY

CHECKED BY GENIUS

UNIT / mm SCALE 1 : 1

DATE

SIZE A4

TOLERANCES ARE

Up to 5 ± 0.2
Above 5 ~ 15 ± 0.3
Above 15 ~ 30 ± 0.4
Above 30 ~ 50 ± 0.5
Angle $\pm 0.3^\circ$

PJECTION

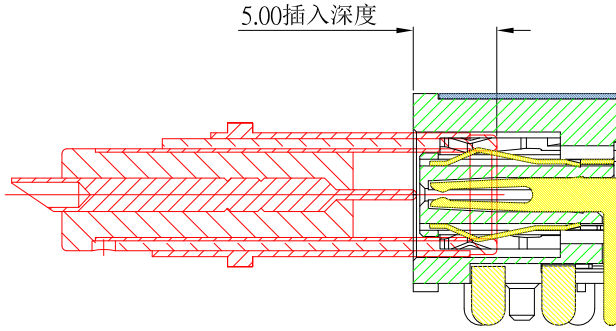
照片框

ORDER INFORMATION

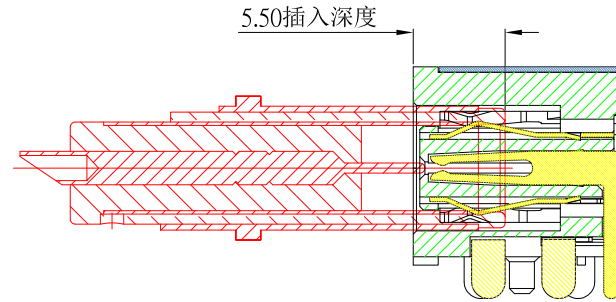
DCP-R60-06-LF
SERIES | LEADFREE
0.6Ø
POST 6.5mm
DIP 90°

DESCRIPTION: DC JACK

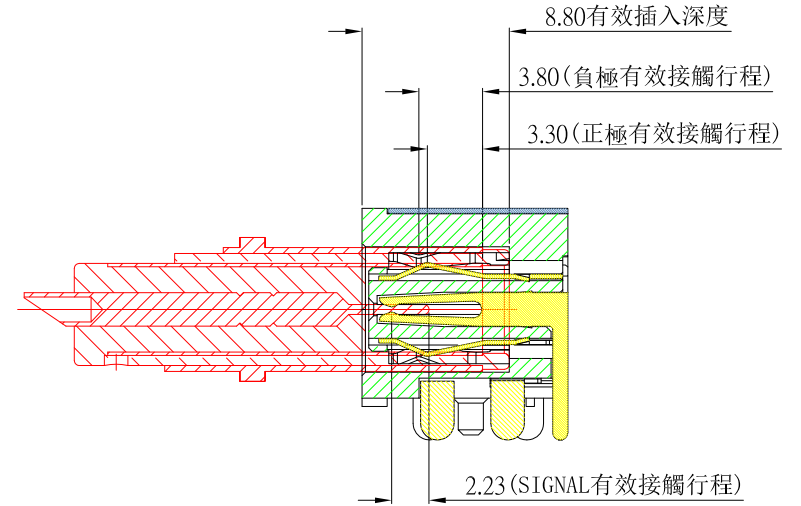
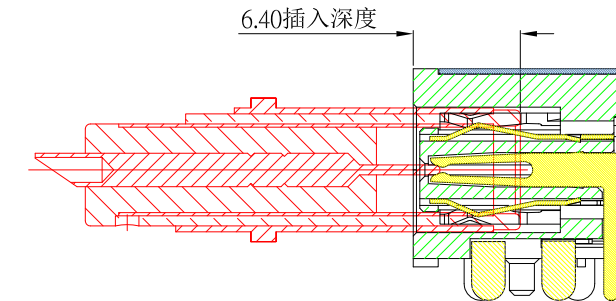
負極接觸



正極接觸



SIGNAL 接觸



MORETHANALL
PCB CONNECTORS
Cable ASSEMBLIES

煜倫股份有限公司

www.morethanall.com

RoHS Compliant

DRAWING BY CY
CHECKED BY GENIUS
UNIT / mm SCALE 1 : 1
DATE
SIZE A4

TOLERANCES ARE

Up to 5 ±0.2
Above 5 ~ 15 ±0.3
Above 15 ~ 30 ±0.4
Above 30 ~ 50 ±0.5
Angle ±0.3°

PPOJECTION

照片框

ORDER INFORMATION

DCP-R60-06-LF
SERIES LEADFREE
0.6Ø
POST 6.5mm
DIP 90°

DESCRIPTION: DC JACK