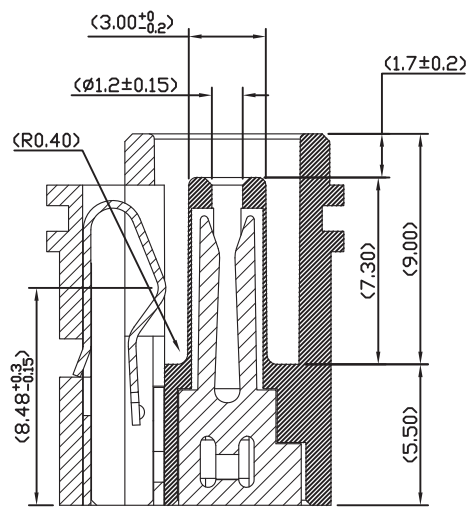
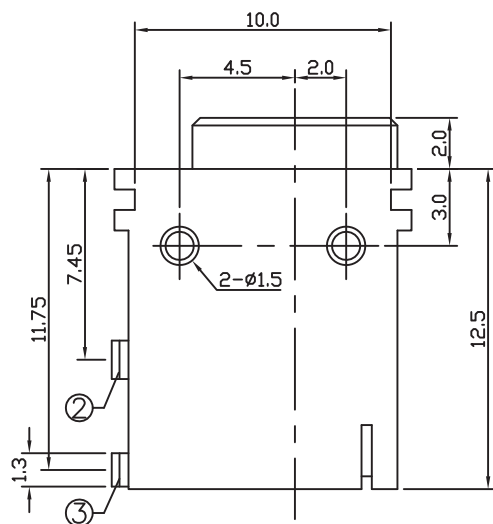
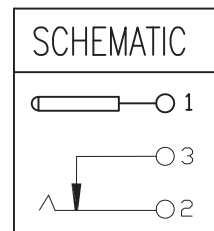


T:1.6 Dimensions of PC board holes
Tolerance : ±0.1(Printed-top view)



A-A

4	HOUSING	1	PA9T	UL-94V0(BLACK)
3	CURVE PIECE	1	C2680 t=0.40	MB:Ni Ag PLATED
2	SPRING PIECE	1	C5191 t=0.30	MB:Ni Ag PLATED
1	CONTACT FOOT	1	C5191 t=0.50	MB:Ni Ag PLATED
LTR	PART NAME	QTY	MATERIAL	REMARK

UNLESS OTHERWISE SPECIFIED, TOLERANCE ON DECIMAL: ±0.3

RoHS Compliant

TOLERANCES ARE

MORETHANALL
PCB CONNECTORS
Cable ASSEMBLIES

DRAWING BY CY

CHECKED BY GENIUS

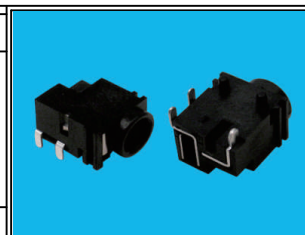
UNIT/mm SCALE 1:1

DATE

SIZE A4

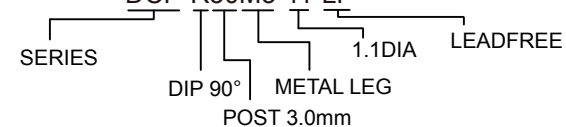
X. ±
.X ±
.XX ±
.XXX ±
ANG ±

PJECTION



ORDER INFORMATION

DCP-R30M3-11-LF



DESCRIPTION: DC POWER JACK

煜倫股份有限公司

www.morethanall.com