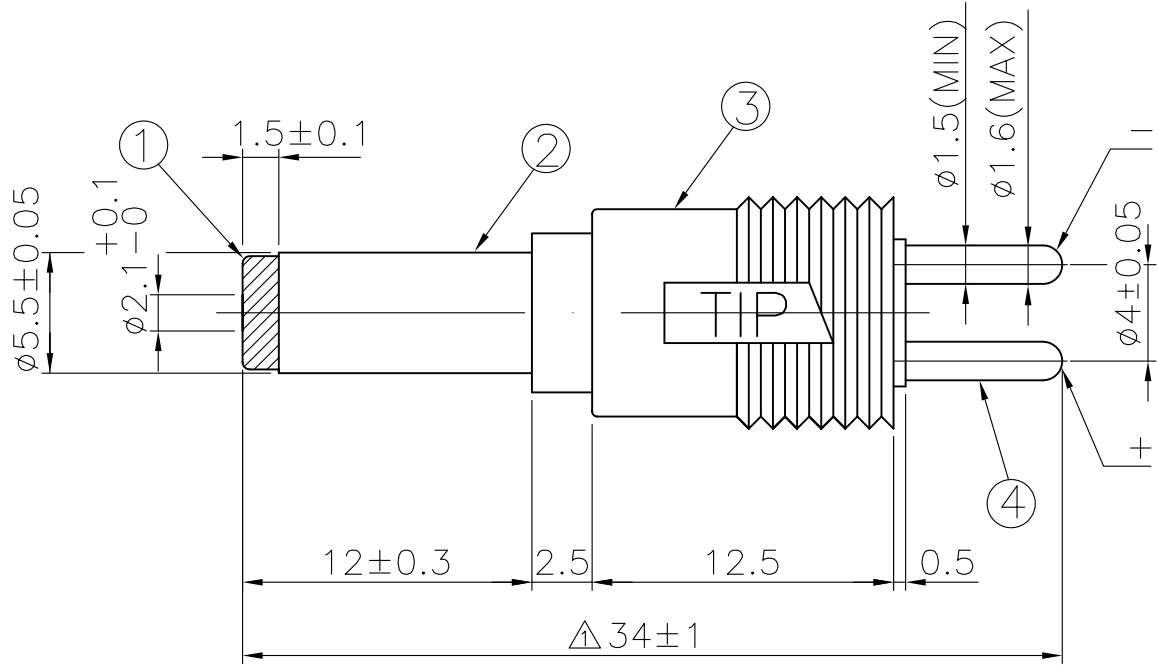
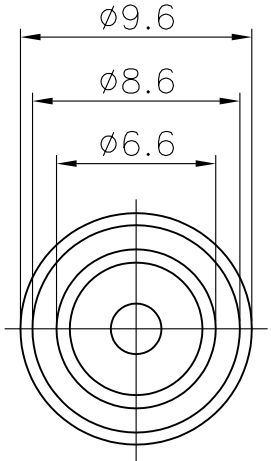


一般公差	
尺寸區分	公差
0>1.0	±0.1
1.0>6.0	±0.2
6.0>12.0	±0.3
12.0>25.0	±0.4
25.0>	±0.5



4	BRASS NICKEL
3	ABS BLACK
2	BRASS NICKEL
1	ABS BLUE
NO	CONTENT

RoHS Compliant

TOLERANCES ARE



DRAWING BY CY
 CHECKED BY GENIUS
 UNIT / mm SCALE 1 : 1
 DATE

X. ±
 .X ±
 .XX ±
 .XXX ±
 ANG ±



ORDER INFORMATION

DCP-D-5521-LF
 SERIES LEADFREE
 DIP 5.5ØX2.1Ø

煜倫股份有限公司

www.morethanall.com

SIZE A4 PROJECTION

DESCRIPTION: DC PLUG 5.5X2.1 TO TIP