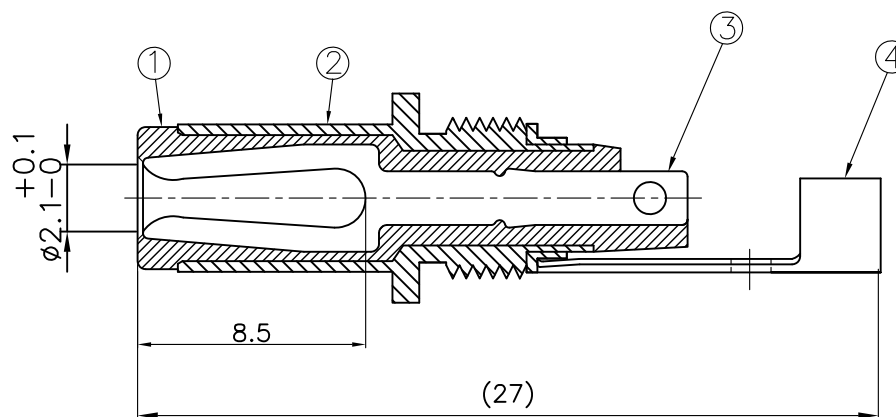
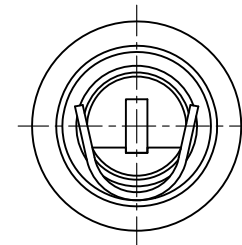
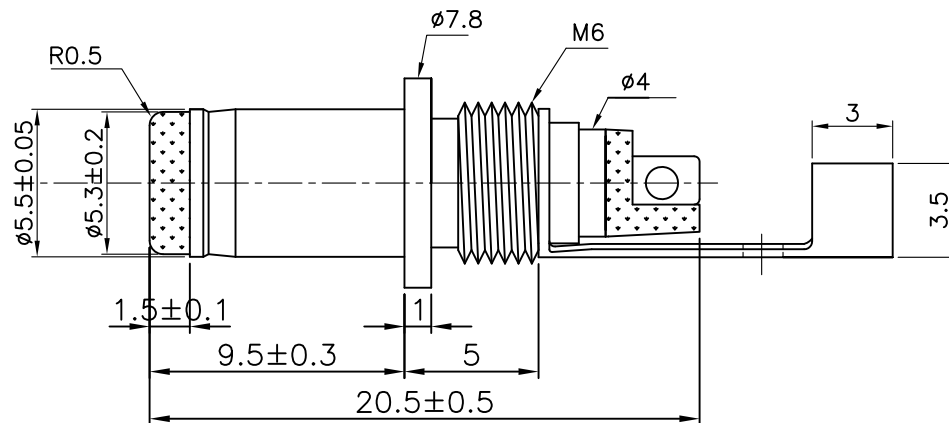


一般公差	
尺寸區分	公差
0>1.0	±0.1
1.0>6.0	±0.2
6.0>12.0	±0.3
12.0>25.0	±0.4
25.0>	±0.5



5	ABS BLACK
4	BRASS NICKEL
3	P-BRONZE NICKEL
2	BRASS NICKEL
1	PBT BLACK
NO	CONTENT

RoHS Compliant

TOLERANCES ARE

MORETHANALL
PCB CONNECTORS
Cable ASSEMBLIES

DRAWING BY CY

X.±

CHECKED BY GENIUS

.X±

UNIT / mm

SCALE 1:1

.XX±

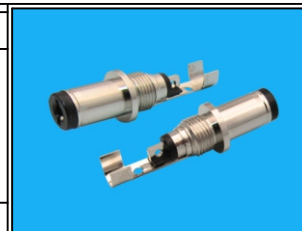
DATE

.XXX±

ANG±

SIZE A4

P PROJECTION



ORDER INFORMATION

DCP-AXC-5521YC9V-LF
 SERIES | LEADFREE
 | V TYPE
 | Y CONTACT 9.5mm
 ID:2.1Ø
 ASSEMBLY | NON COVER
 | OD:5.5Ø

煜倫股份有限公司

www.morethanall.com

DESCRIPTION: DC PLUG $\phi 5.5 * \phi 2.1 * 9.5L$