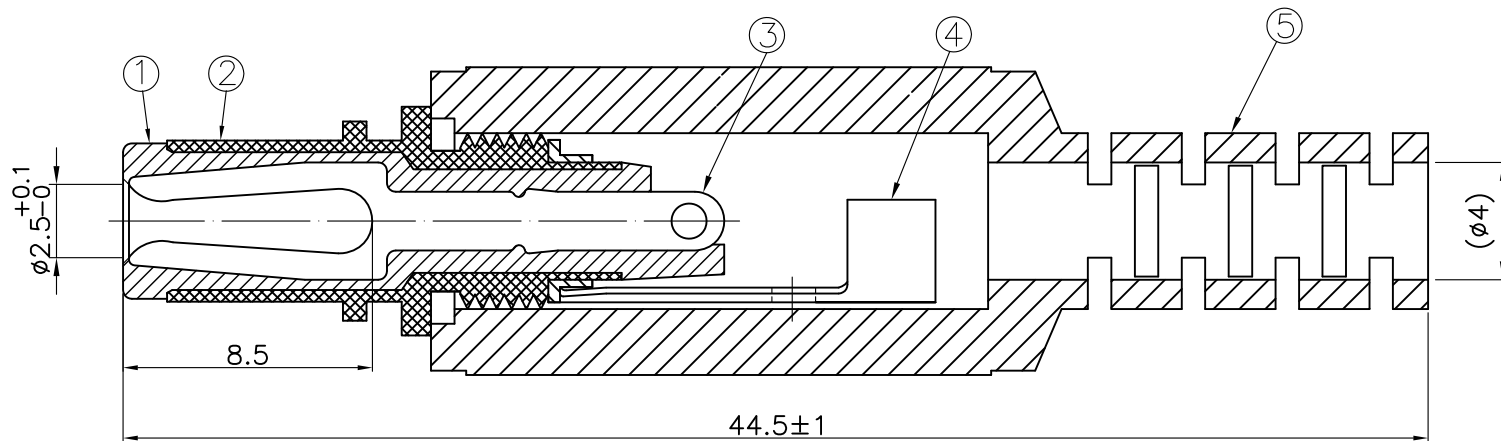
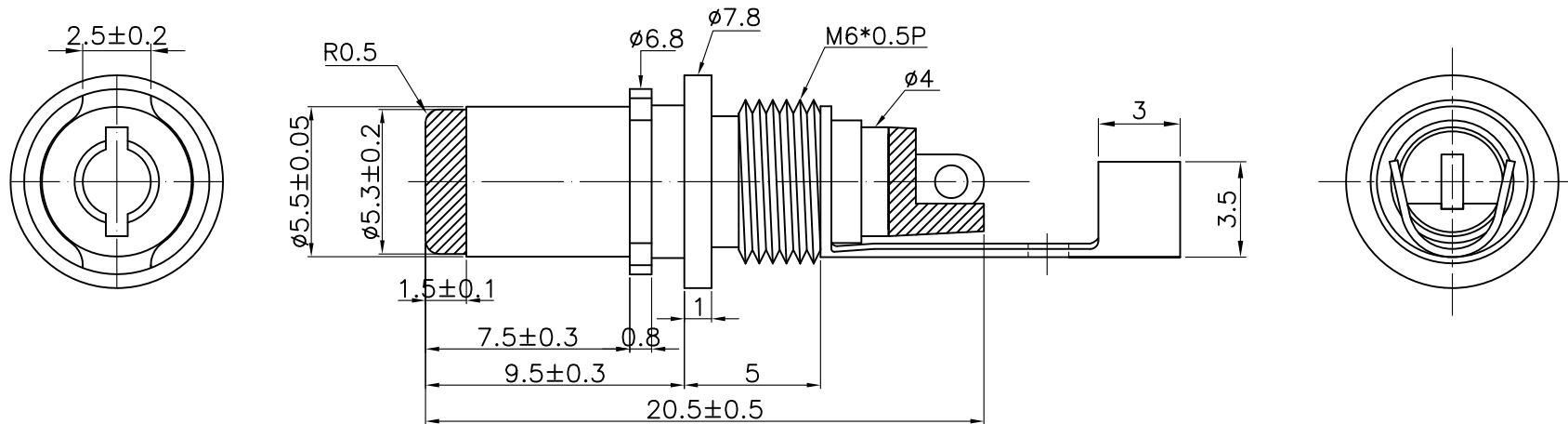


一般公差	
尺寸區分	公差
0>1.0	±0.1
1.0>6.0	±0.2
6.0>12.0	±0.3
12.0>25.0	±0.4
25.0>	±0.5



5	TPR BLACK
4	BRASS NICKEL
3	P-BRONZE NICKEL
2	BRASS NICKEL
1	PBT BLACK
NO	CONTENT

RoHS Compliant

TOLERANCES ARE

MORETHANALL
PCB CONNECTORS
Cable ASSEMBLIES

DRAWING BY CY

X.±

CHECKED BY GENIUS

.X±

UNIT / mm

SCALE 1:1

.XX±

DATE

.XXX±

ANG±

SIZE A4

PJECTION

照片框

ORDER INFORMATION

DGP-ALK-5525-LF
SERIES | LEADFREE
ID:2.5Ø
OD:5.5Ø
LOCK
ASSEMBLY

煜倫股份有限公司

www.morethanall.com

DESCRIPTION: DC PLUG φ5.5*φ2.5*9.5L