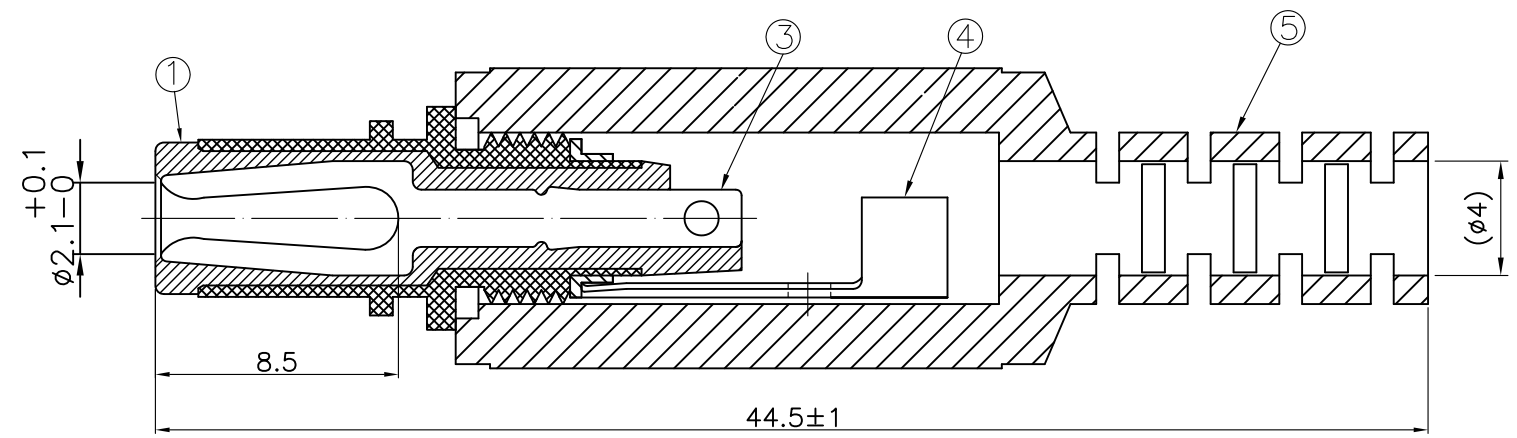
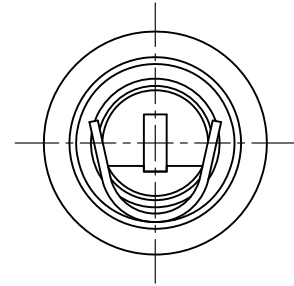
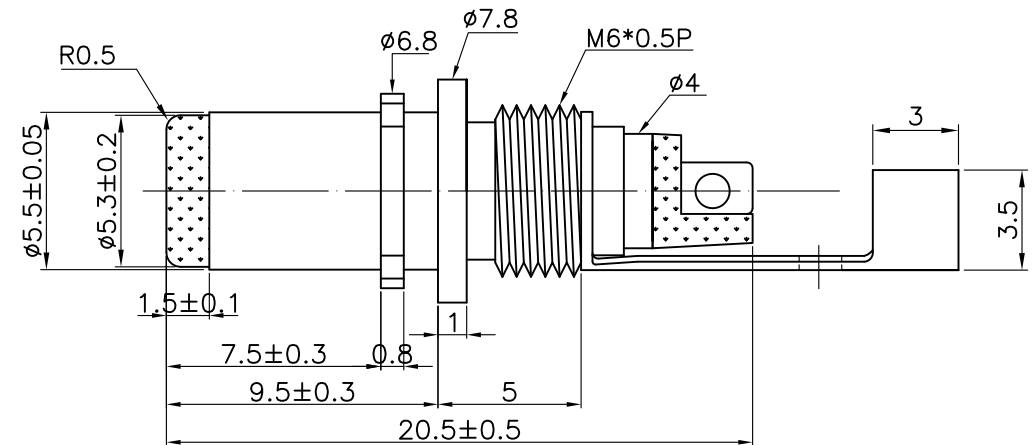
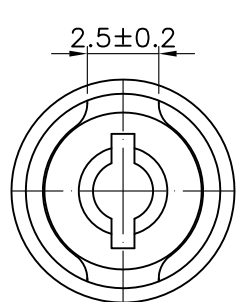


一般公差	
尺寸區分	公差
0>1.0	±0.1
1.0>6.0	±0.2
6.0>12.0	±0.3
12.0>25.0	±0.4
25.0>	±0.5



5	TPR BLACK
4	BRASS NICKEL
3	P-BRONZE NICKEL
2	BRASS NICKEL
1	PBT BLACK
NO	CONTENT

RoHS Compliant

TOLERANCES ARE



DRAWING BY CY		X.±
CHECKED BY GENIUS		.X±
UNIT/mm	SCALE 1:1	.XX±
DATE		.XXX±
		ANG±

煜倫股份有限公司

www.morethanall.com

SIZE A4 PPROJECTION



ORDER INFORMATION

DCP-ALK-5521-LF  
 SERIES | LEADFREE  
 ID:2.1Ø  
 OD:5.5Ø  
 LOCK  
 ASSEMBLY

DESCRIPTION: DC PLUG Ø5.5\*Ø2.1\*9.5L