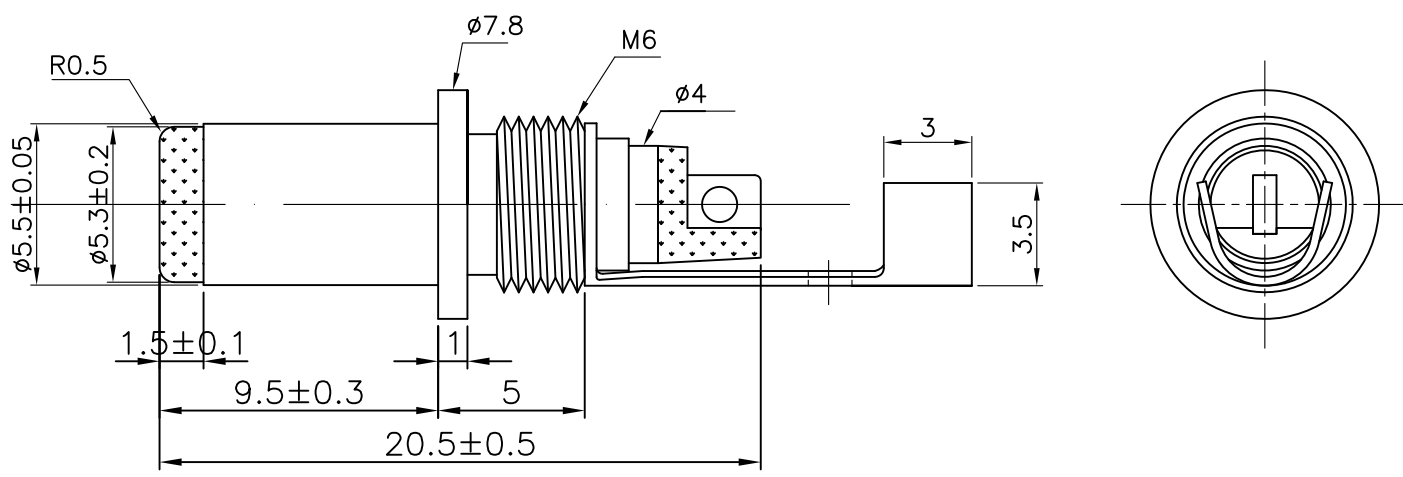
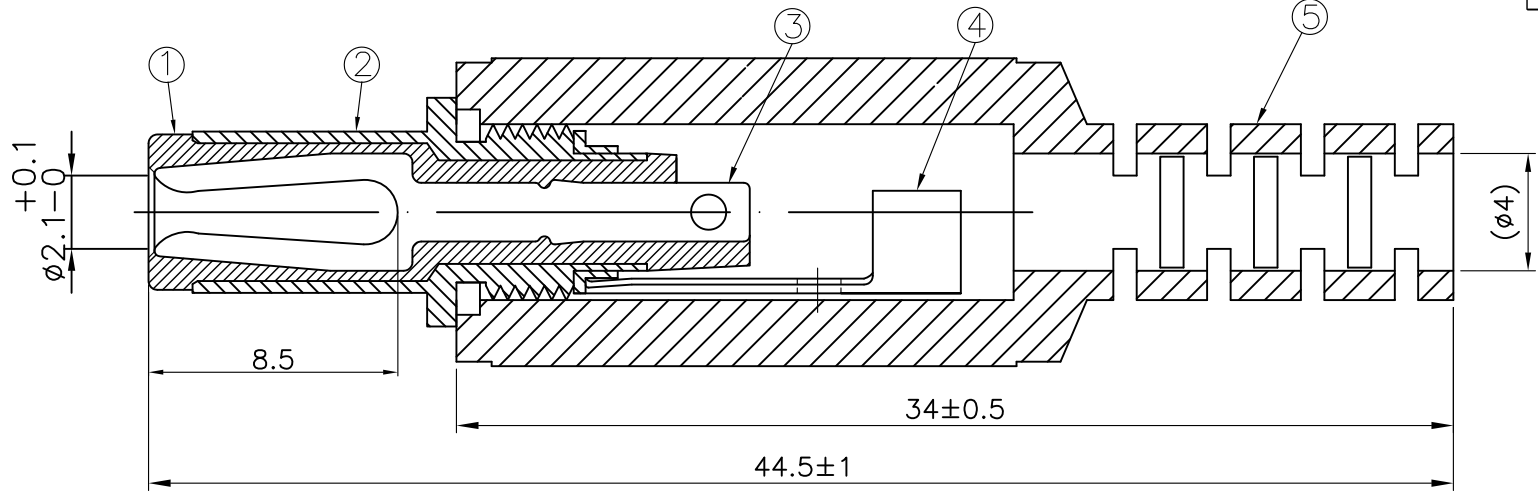


一般公差	
尺寸區分	公差
0>1.0	±0.1
1.0>6.0	±0.2
6.0>12.0	±0.3
12.0>25.0	±0.4
25.0>	±0.5



NO	CONTENT
5	TPR BLACK
4	BRASS NICKEL
3	P-BRONZE NICKEL
2	BRASS NICKEL
1	PBT BLACK



RoHS Compliant

TOLERANCES ARE

MORETHANALL
PCB CONNECTORS
Cable ASSEMBLIES

DRAWING BY CY
CHECKED BY GENIUS
UNIT / mm SCALE 1 : 1
DATE
SIZE A4 PROJECTION

X, ±
.X ±
.XX ±
.XXX ±
ANG ±

照片框

ORDER INFORMATION

DCP-A-5521YC9-LF
SERIES | LEADFREE
ID:2.1Ø
Y CONTACT 9.5mm
OD:5.5Ø
ASSEMBLY

煜倫股份有限公司

www.morethanall.com

DESCRIPTION: DC PLUG Ø5.5*Ø2.1*9.5L