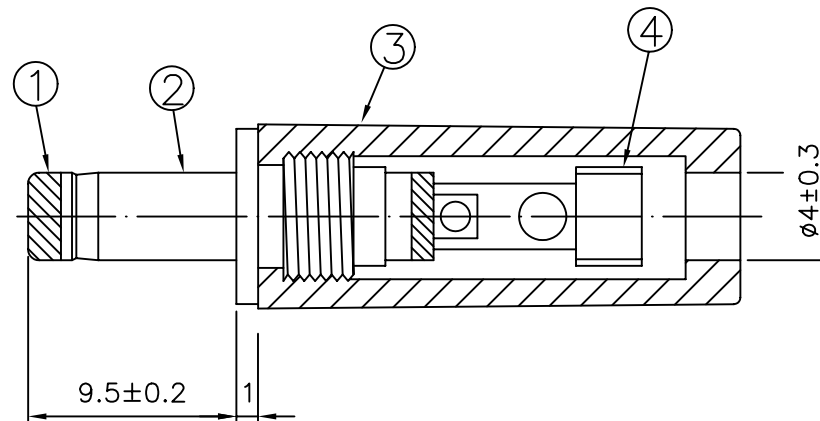
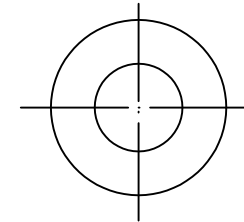
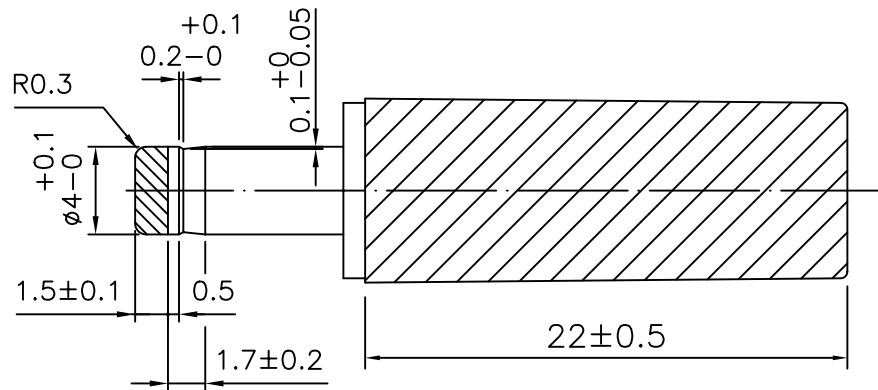
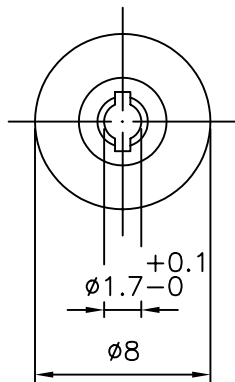


1 2 3 4 5 6 7 8 9 0

J
I
H
G
F
E
D
C
B
A



PART NO.	MATERIAL	PLATING
1.	POM	YELLOW
2.	BRASS	NICKEL
3.	ABS	BLACK
4.	BRASS	NICKEL



PART NO. DCP-A-4017S

DWG NO. DCP-A-4017S

FILE NO.

UNIT / mm

SCALE 1:1

CHECKED BY CY

DRAWING BY

PROJECTION

TOLERANCES ARE

.X ± 0.2
.XX ±
.XXX ±
AWG

DESCRIPTION:

AREA	REVISIONS	HK	DATE

煜倫股份有限公司