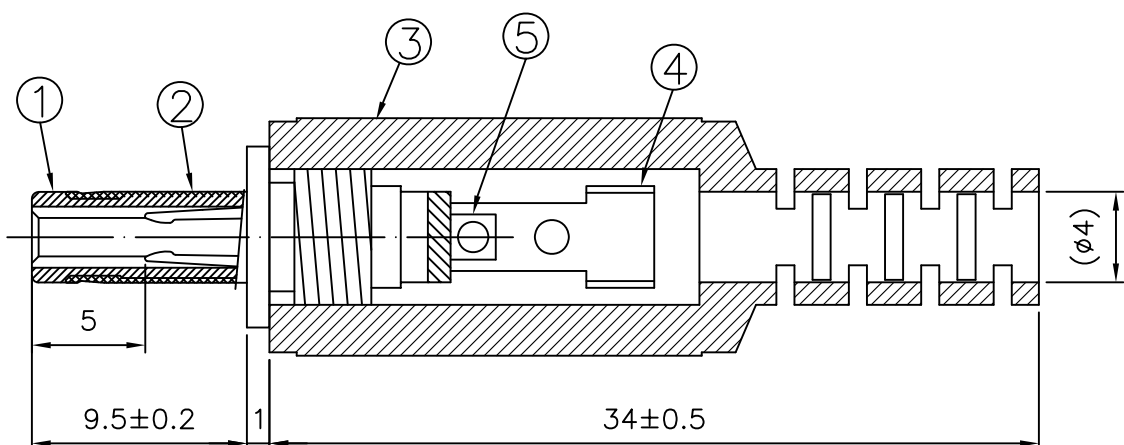
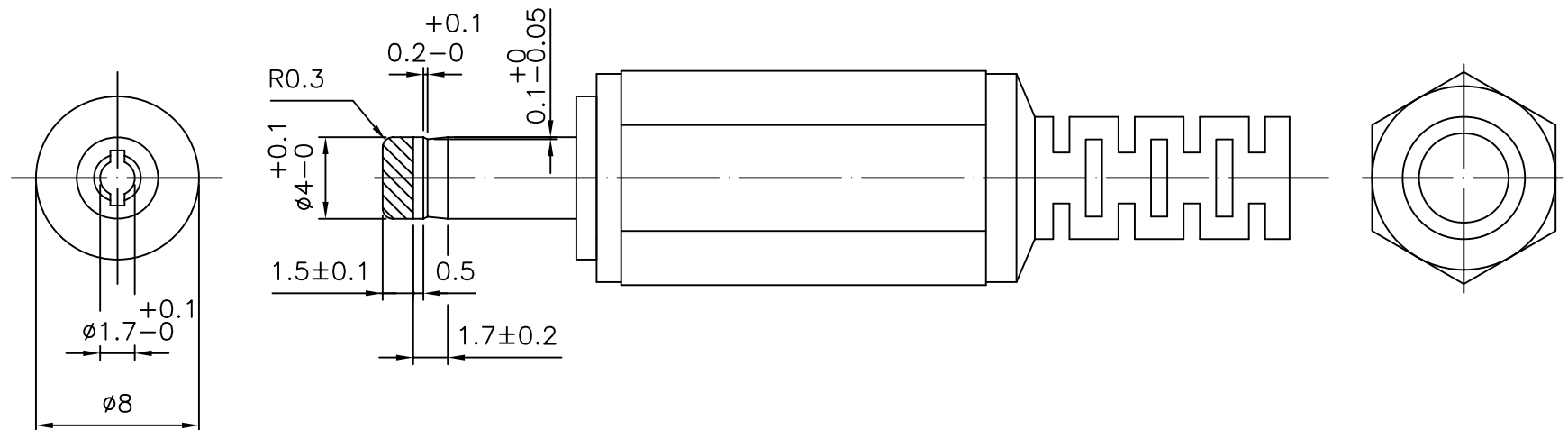


一般公差	
尺寸區分	公差
0>1.0	±0.1
1.0>6.0	±0.2
6.0>12.0	±0.3
12.0>25.0	±0.4
25.0>	±0.5



5	P-BRONZE NICKEL
4	BRASS NICKEL
3	TPR BLACK
2	BRASS NICKEL
1	POM YELLOW
NO	CONTENT

- NOTES:
1. DIELECTRIC STRENGTH : AC 500 V at 1MIN.
  2. INSULATION RESISTANCE : DC 500 V / 100 MΩ MIN
  3. RATED VOLTAGE: 24 V DC.
  4. RATED CURRENT: 2.5 A.

RoHS Compliant

TOLERANCES ARE



DRAWING BY CY		X.±
CHECKED BY GENIUS		.X±
UNIT / mm	SCALE 1 : 1	.XX±
DATE		.XXX±
		ANG±
SIZE A4	PJECTION	



ORDER INFORMATION

DCP-A-4017-LF  
 SERIES | LEADFREE  
 ID:1.7Ø  
 OD:4.0Ø  
 ASSEMBLY

煜倫股份有限公司

www.morethanall.com

DESCRIPTION: DC PLUG φ4.0\*φ1.7\*9.5L (ASSEMBLY TYPE)