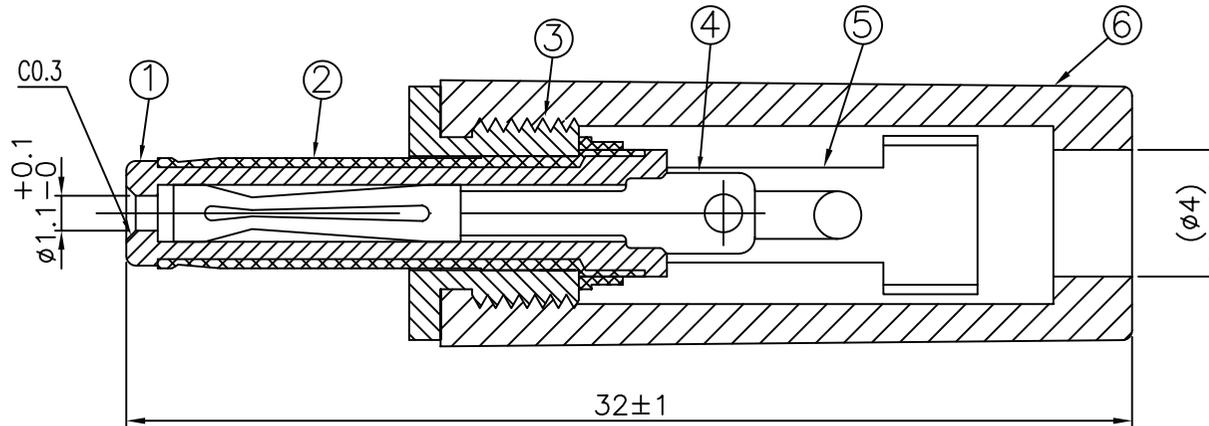


一般公差	
尺寸區分	公差
0>1.0	$\pm 0.1$
1.0>6.0	$\pm 0.2$
6.0>12.0	$\pm 0.3$
12.0>25.0	$\pm 0.4$
25.0>	$\pm 0.5$



6	ABS BLACK
5	BRASS NICKEL
4	P-BRONZE NICKEL
3	BRASS NICKEL
2	BRASS NICKEL
1	POM BLACK
NO	CONTENT

RoHS Compliant

TOLERANCES ARE

**MORETHANALL**  
PCB CONNECTORS  
Cable ASSEMBLIES

DRAWING BY CY

X.  $\pm$

CHECKED BY GENIUS

.X  $\pm$

UNIT / mm

SCALE 1 : 1

.XX  $\pm$

DATE

.XXX  $\pm$

ANG  $\pm$

SIZE A4

P PROJECTION

照片框

ORDER INFORMATION

DCP-A-3511S-LF  
SERIES | LEADFREE  
| SHORT BODY  
| ID:1.1 $\phi$   
| OD:3.5 $\phi$   
ASSEMBLY

煜倫股份有限公司

www.morethanall.com

DESCRIPTION: DC PLUG 3.5\*1.1\*9.0L (Assembly type)