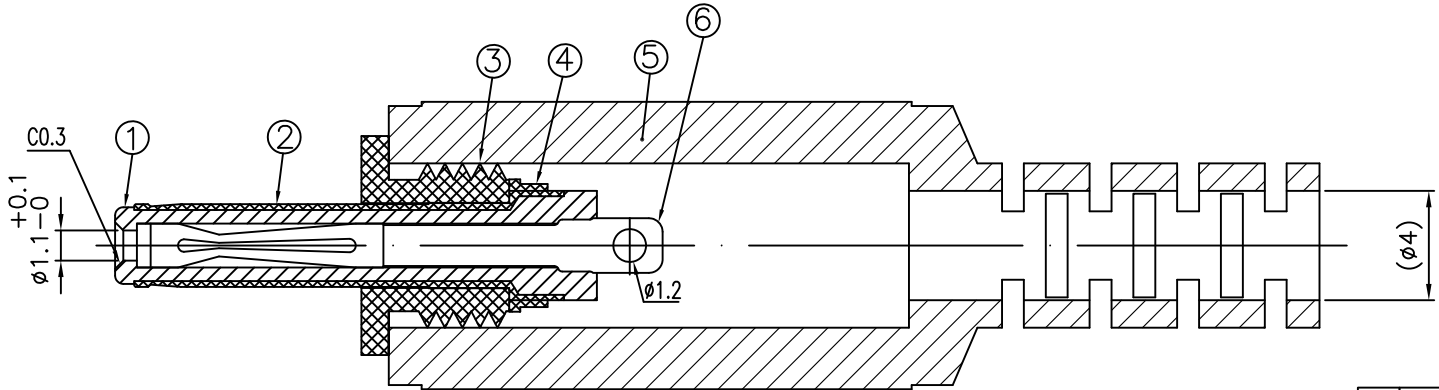
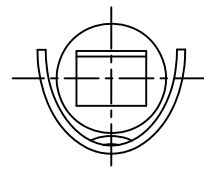
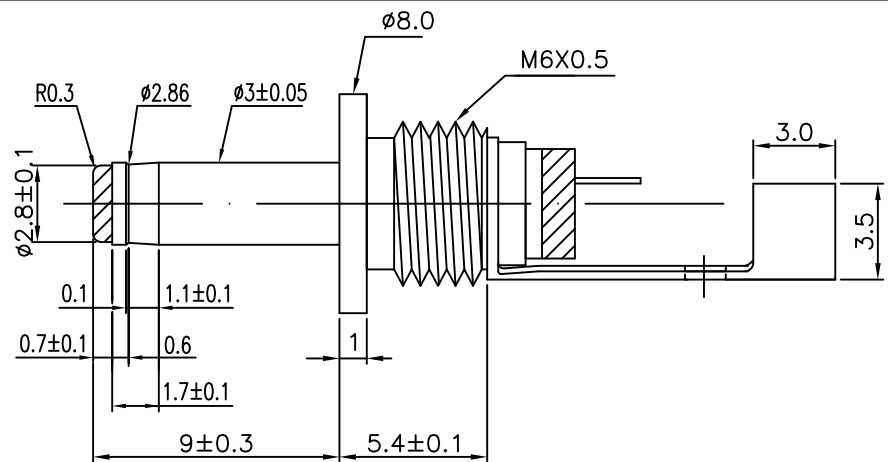


一般公差	
尺寸區分	公差
0>1.0	±0.1
1.0>6.0	±0.2
6.0>12.0	±0.3
12.0>25.0	±0.4
25.0>	±0.5



6	P-BRONZE NICKEL
5	TPR BLACK
4	BRASS NICKEL
3	BRASS NICKEL
2	BRASS NICKEL
1	POM BLACK
NO	CONTENT

RoHS Compliant

TOLERANCES ARE

照片框

ORDER INFORMATION

MORETHANALL
PCB CONNECTORS
Cable ASSEMBLIES
煜倫股份有限公司
www.morethanall.com

DRAWING BY CY		X.±
CHECKED BY GENIUS		.X±
UNIT/mm	SCALE 1:1	.XX±
DATE		.XXX±
SIZE A4	PJECTION	ANG±

DCP-A-3011-LF
SERIES | LEADFREE
ID:1.1Ø
OD:3.0Ø
ASSEMBLY
DESCRIPTION: DC PLUG φ3.0*φ1.1*9.0L