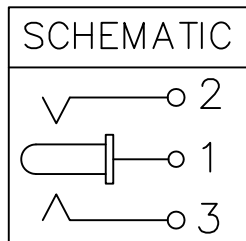
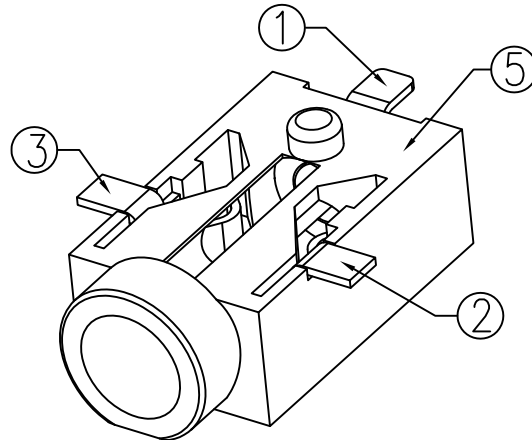
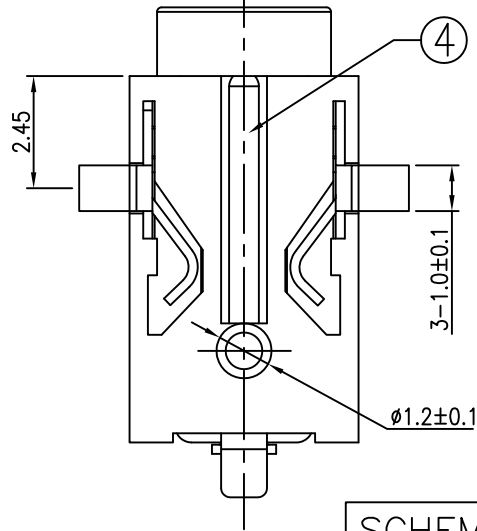


T:1.6 Dimensions of PC board holes
Tolerance : ± 0.1 (Printed-top view)



DCJ-W60-065-LF
LEADFREE
RoHS Compliant

LTR	PART NAME	QTY	MATERIAL	REMARK
5	HOUSING	1	PA9T	UL-94V0(BLACK)
4	PIN	1	H59(COPPER ALLOY)	MB: Ni Ag PLATED
3	CURVE PIECE	1	C2680 t=0.20	MB: Ni Ag PLATED
2	SPRING	1	C5191 t=0.20	MB: Ni Ag PLATED
1	SPRING	1	C5191 t=0.20	MB: Ni Ag PLATED

UNLESS OTHERWISE SPECIFIED, TOLERANCE ON DECIMAL: ± 0.2

MORETHANALL
CONNECTORS
ASSEMBLIES

PART NO. DCJ-W60-065

DWG NO. DCJ-W60-065

FILE NO.

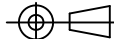
UNIT / mm

SCALE 1:1

CHECKED BY CY

DRAWING BY

PROJECTION



TOLERANCES ARE

.X \pm 0.2
.XX \pm
.XXX \pm
ANG

DESCRIPTION: DC POWER JACK

AREA

REVISIONS

HK

DATE

焯倫股份有限公司