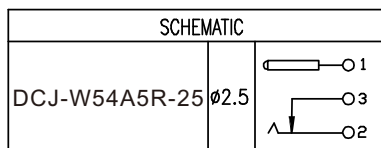
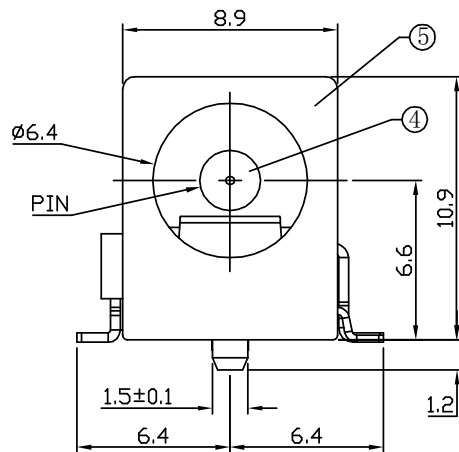


T:1.6 Dimensions of PC board holes
Tolerance : ±0.05(Printed-top view)



*Rated voltage/ Rated current :12V 5A

LTR	PART NAME	QTY	MATERIAL	REMARK
6	COVER	1	PA9T	UL-94V0(BLACK)
5	HOUSING	1	PA9T	UL-94V0(BLACK)
4	PIN	1	H59(COPPER ALLOY)	Cu/Sn PLATED
3	CURVE PIECE	1	C2680 t=0.40	Sn PLATED
2	SPRING	1	C5191 t=0.30	Sn PLATED
1	CURVE PIECE	1	C2680 t=0.40	Sn PLATED

UNLESS OTHERWISE SPECIFIED, TOLERANCE ON DECIMAL: ±0.2

RoHS Compliant

TOLERANCES ARE

MORETHANALL
PCB CONNECTORS
Cable ASSEMBLIES

DRAWING BY CY

X.±

CHECKED BY GENIUS

.X±

UNIT / mm

SCALE 1 : 1

.XX±

DATE

.XXX±

ANG±

SIZE A4

P PROJECTION

照片框

ORDER INFORMATION

DCJ-W54A5R-25-LF
SERIES | | | LEADFREE
| | | 2.50
| | | REEL
| | | 5A
| | | POST 5.1+4.4mm
| | | 90°SMT

DESCRIPTION: DC POWER JACK

煜倫股份有限公司

www.morethanall.com

1 Space=1 pcs

1 Film packing box=1×250pcs
=250pcs

1 Big Carton=10×250pcs=2500pcs

1 Film packing box Dimension
=L×W×H
=5600×32×12.8

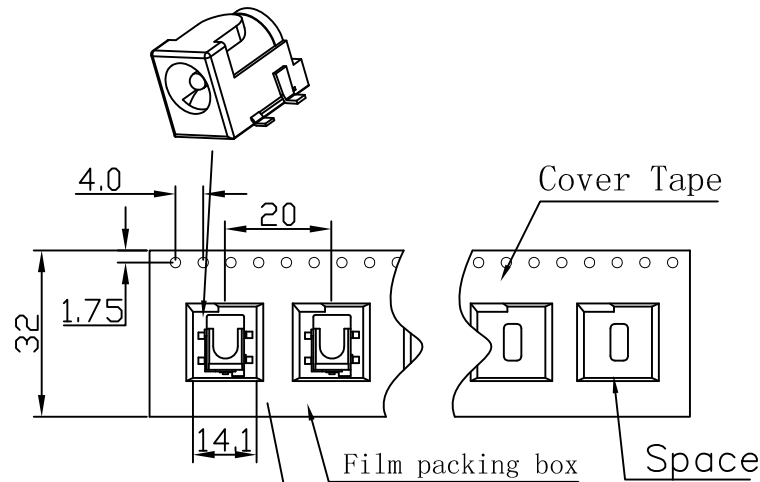
The thickness of the film=0.50mm

1 Embossed Carrier Reel Dimension
=D×H
=330×37.1

1 Cover tape Dimension
=L×W×H
=5600×25×0.06

1 Big Carto Dimension
=L×W×H
=400×350×340

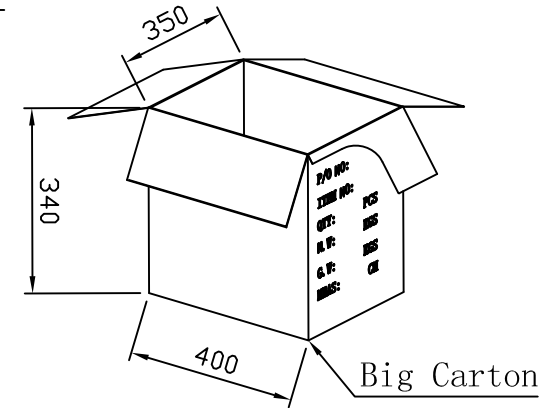
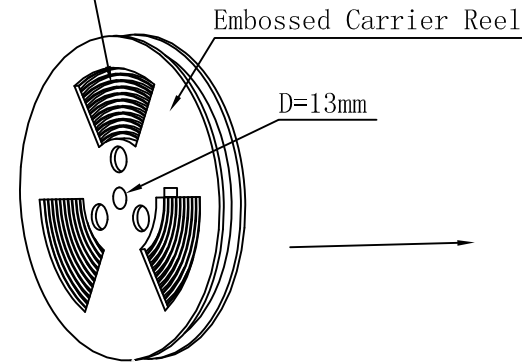
一大箱衣個防水袋，
每大箱放一包乾燥劑。



淨重:5.5kg

毛重:11.5kg

單位:mm



RoHS Compliant

TOLERANCES ARE

MORETHANALL
PCB CONNECTORS
Cable ASSEMBLIES

煜倫股份有限公司

www.morethanall.com

DRAWING BY CY

CHECKED BY GENIUS

UNIT / mm

SCALE 1 : 1

DATE

SIZE A4

X. ±
.X ±
.XX ±
.XXX ±
ANG ±

P PROJECTION

照片框

ORDER INFORMATION

DCJ-W54A5R-25-LF
SERIES | | | LEADFREE
| | | 2.50
| | | REEL
| | | 5A
| | | POST 5.1+4.4mm
| | | 90°SMT

DESCRIPTION: DC POWER JACK