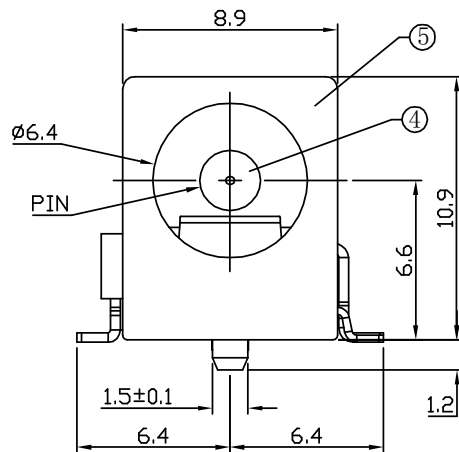


T:1.6 Dimensions of PC board holes
Tolerance : ±0.05(Printed-top view)



| SCHEMATIC | |
|--------------|--|
| DCJ-W54A5-25 | |

*Rated voltage/ Rated current :12V 5A

| LTR | PART NAME | QTY | MATERIAL | REMARK |
|-----|-------------|-----|-------------------|----------------|
| 6 | COVER | 1 | PA9T | UL-94V0(BLACK) |
| 5 | HOUSING | 1 | PA9T | UL-94V0(BLACK) |
| 4 | PIN | 1 | H59(COPPER ALLOY) | Cu/Sn PLATED |
| 3 | CURVE PIECE | 1 | C2680 t=0.40 | Sn PLATED |
| 2 | SPRING | 1 | C5191 t=0.30 | Sn PLATED |
| 1 | CURVE PIECE | 1 | C2680 t=0.40 | Sn PLATED |

UNLESS OTHERWISE SPECIFIED, TOLERANCE ON DECIMAL: ±0.2

RoHS Compliant

TOLERANCES ARE

MORETHANALL
PCB CONNECTORS
Cable ASSEMBLIES

煜倫股份有限公司

www.morethanall.com

DRAWING BY CY

CHECKED BY GENIUS

UNIT / mm SCALE 1 : 1

DATE

SIZE A4

X. ±
.X ±
.XX ±
.XXX ±
ANG ±

P PROJECTION

照片框

ORDER INFORMATION

DCJ-W54A5-25-LF
SERIES | LEADFREE
5A
POST 5.1+4.4mm
90°SMT

DESCRIPTION: DC POWER JACK