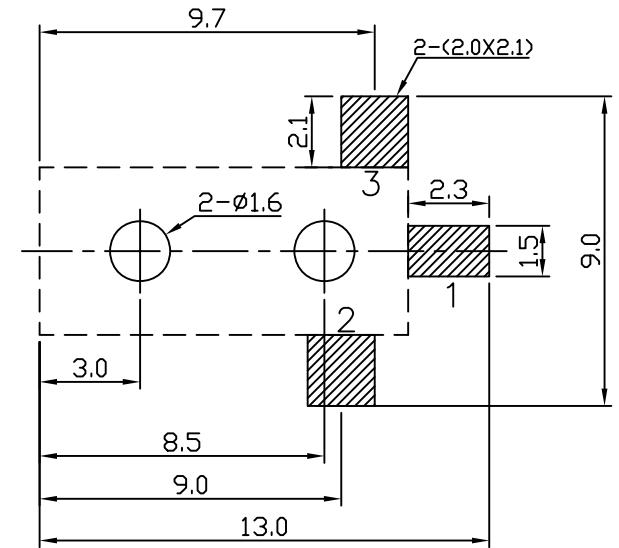
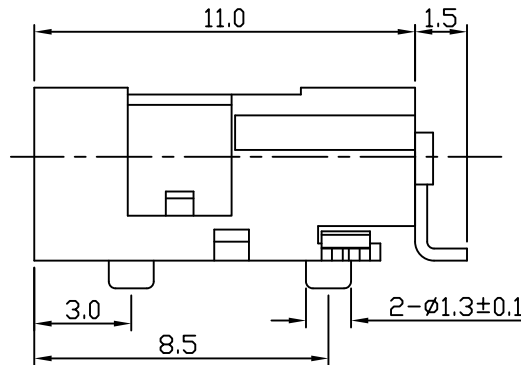
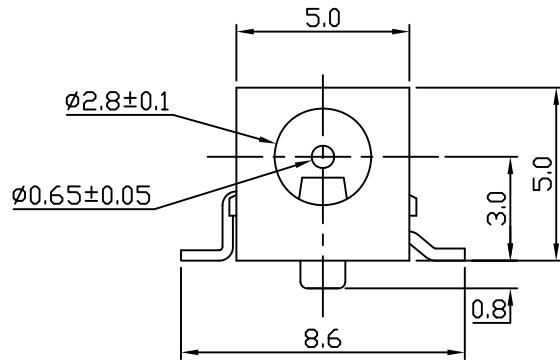
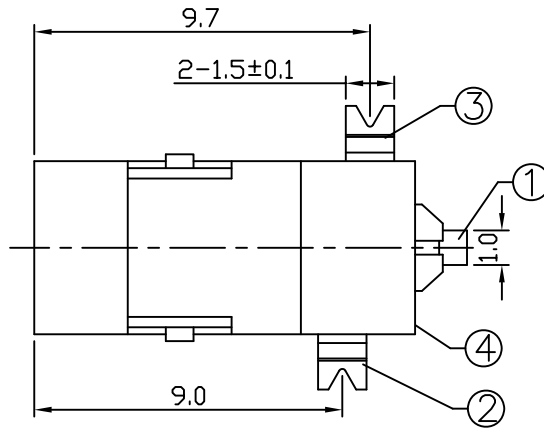
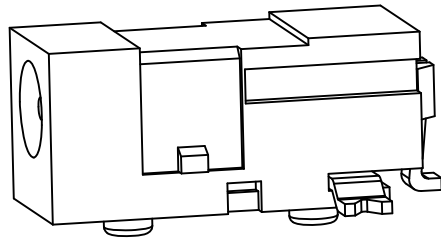
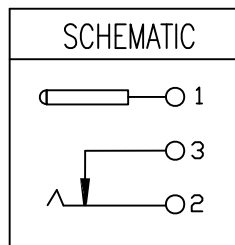


* Rated voltage/Rated current :16V/2A



T:1.6 Dimensions of PC board holes
Tolerance : ±0.1(Printed-top view)



4	HOUSING	1	PA9T	UL-94V0(BLACK)
3	CURVE PIECE	1	C2680 t=0.30	MB:Ni Ag PLATED
2	SPRING FOOT	1	C5191 t=0.30	MB:Ni Ag PLATED
1	PIN	1	H59(COPPER ALLOY)	MB:Ni Ag PLATED
LTR	PART NAME	QTY	MATERIAL	REMARK

UNLESS OTHERWISE SPECIFIED, TOLERANCE ON DECIMAL: ±0.2

RoHS Compliant

TOLERANCES ARE

MORETHANALL
PCB CONNECTORS
Cable ASSEMBLIES

煜倫股份有限公司

www.morethanall.com

DRAWING BY CY

CHECKED BY GENIUS

UNIT / mm

SCALE 1 : 1

DATE

SIZE A4

X. ±
.X ±
.XX ±
.XXX ±
ANG ±

P PROJECTION

照片框

ORDER INFORMATION

DCJ-W35-065-LF
SERIES | LEADFREE
0.65Ø
POST 3.0+5.5mm
90°SMT

DESCRIPTION: