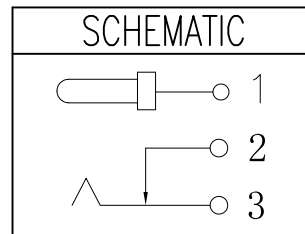


T:1.6 Dimensions of PC board holes
Tolerance : ±0.05(Printed-top view)



5	HOUSING	1	PA9T		UL-94V0(BLACK)
4	PIN	1	C5191	t=0.25	Ag PLATED
3	SPRING PIECE	1	C5191	t=0.25	Ag PLATED
2	CURVE PIECE	1	C5191	t=0.25	Ag PLATED
1	CONTACT FOOT	1	C2680	t=0.25	Ag PLATED
LTR	PART NAME	QTY	MATERIAL		REMARK

UNLESS OTHERWISE SPECIFIED, TOLERANCE ON DECIMAL: ±0.2

RoHS Compliant

TOLERANCES ARE

MORETHANALL
PCB CONNECTORS
Cable ASSEMBLIES

煜倫股份有限公司

www.morethanall.com

DRAWING BY CY

CHECKED BY GENIUS

UNIT / mm SCALE 1 : 1

DATE

SIZE A4

X. ±
.X ±
.XX ±
.XXX ±
ANG ±

P PROJECTION

照片框

ORDER INFORMATION

DCJ-W25H46R-10-LF
SERIES | | | LEADFREE
| | | 10:1.0Ø
| | | REEL
| | | HIGH 4.6mm
| | | POST 2.5+5.5mm
90°SMT

DESCRIPTION: DC POWER JACK

1 Space=1 pcs

=1000pcs

1 Film packing box Dimension

The thickness of the film=0.35mm

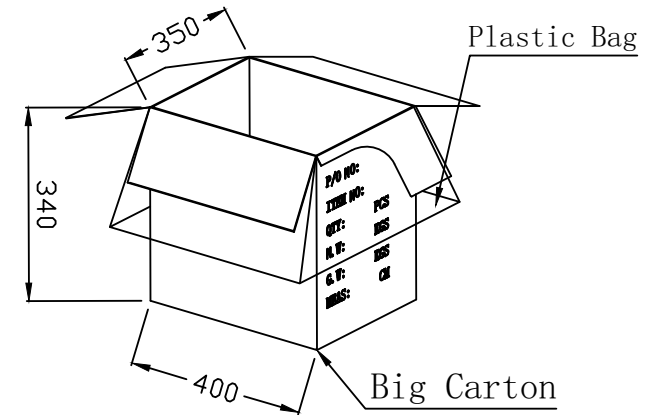
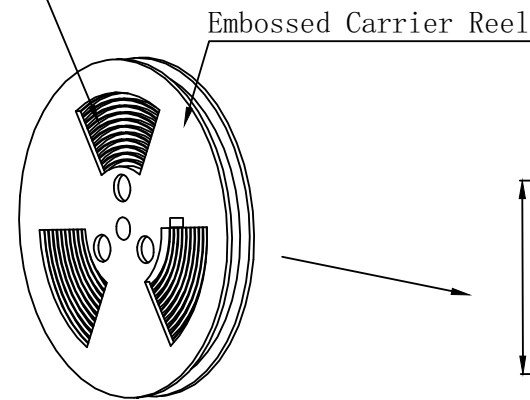
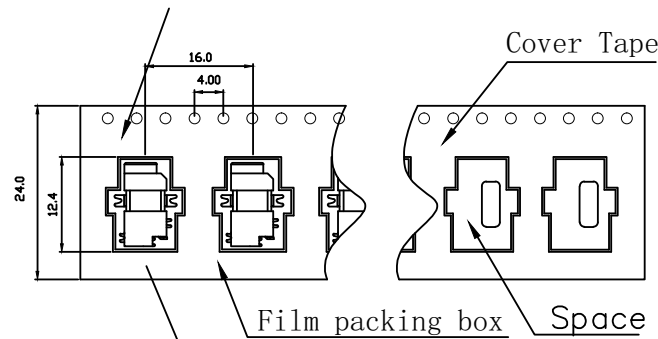
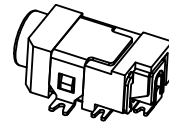
1 Embossed Carrier Reel Dimension

1 Cover tape Dimension

1 Plastic Bag Dimension

1 Big Carto Dimension

Unit:mm



Net weight: 5.5Kg

Total weight: 10Kg

RoHS Compliant

TOLERANCES ARE

MORETHANALL
PCB CONNECTORS
Cable ASSEMBLIES

煜倫股份有限公司

www.morethanall.com

DRAWING BY CY

CHECKED BY GENIUS

UNIT / mm SCALE 1:1

DATE

SIZE A4

X. ±

.X ±

.XX ±

.XXX ±

ANG ±

PPOJECTION

照片框

ORDER INFORMATION

DCJ-W25H46R-10-LF
SERIES | | | LEADFREE
| | | 10:1.00
| | | REEL
| | | HIGH 4.6mm
| | | POST 2.5+5.5mm
90°SMT

DESCRIPTION: DC POWER JACK