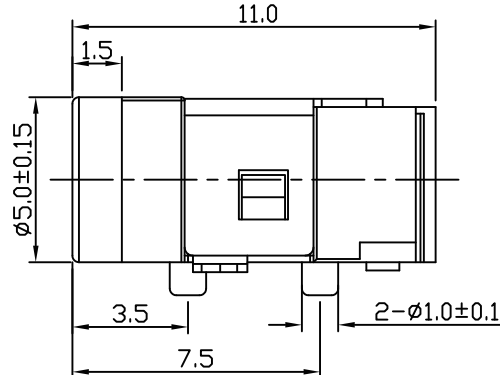
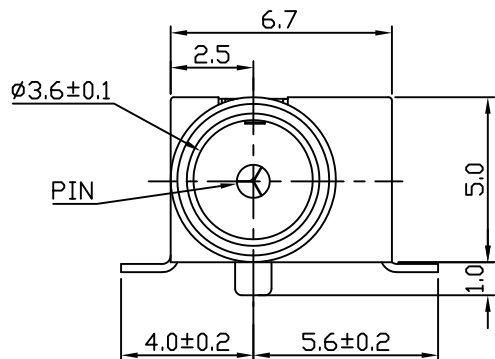


T:1.6 Dimensions of PC board holes
Tolerance : ±0.1(Printed-top view)



SCHEMATIC		
DCJ-W24-10	φ1.0	

4	HOUSING	1	PA9T		UL-94V0(BLACK)
3	CONTACT FOOT	1	C5191	t=0.25	MB:Ni Ag PLATED
2	CONTACT FOOT	1	C5191	t=0.25	MB:Ni Ag PLATED
1	PIN FOOT	1	C2680	t=0.20	MB:Cu Ni PLATED
LTR	PART NAME	QTY	MATERIAL		REMARK

UNLESS OTHERWISE SPECIFIED, TOLERANCE ON DECIMAL: ±0.2

RoHS Compliant

TOLERANCES ARE

MORETHANALL
PCB CONNECTORS
Cable ASSEMBLIES

DRAWING BY CY

X.±

CHECKED BY GENIUS

.X±

UNIT / mm

SCALE 1 : 1

.XX±

DATE

.XXX±

ANG±

SIZE A4

PJECTION

照片框

ORDER INFORMATION

DCJ-W24-10-LF
SERIES | LEADFREE
1.0Ø
POST 2.0+4.0mm
90°SMT

煜倫股份有限公司

www.morethanall.com

DESCRIPTION: DC POWER JACK