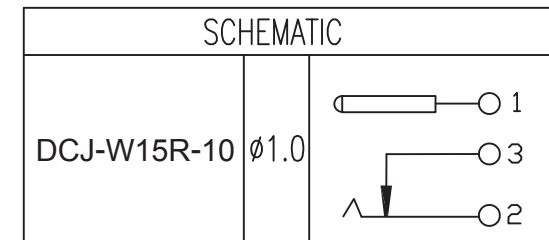


T:1.6 Dimensions of PC board holes

Tolerance : ±0.05(Printed-top view)



UNLESS OTHERWISE SPECIFIED, TOLERANCE ON DECIMAL: ±0.2

5	HOUSING	1	PA9T	UL-94V0(BLACK)
4	PIN	1	H59(COPPER ALLOY)	Cu/Sn PLATED
3	TERMINAL 3#	1	C2680 t=0.25	Ag PLATED
2	TERMINAL 2#	1	SUS301 t=0.25	Ag PLATED
1	TERMINAL 1#	1	C2680 t=0.30	Ag PLATED
LTR	PART NAME	QTY	MATERIAL	REMARK

RoHS Compliant

TOLERANCES ARE

**MORETHANALL**  
PCB CONNECTORS  
Cable ASSEMBLIES

DRAWING BY CY

X.±

CHECKED BY GENIUS

.X±

UNIT/mm

SCALE 1:1

.XX±

DATE

.XXX±

ANG±

SIZE A4

PJECTION

照片框

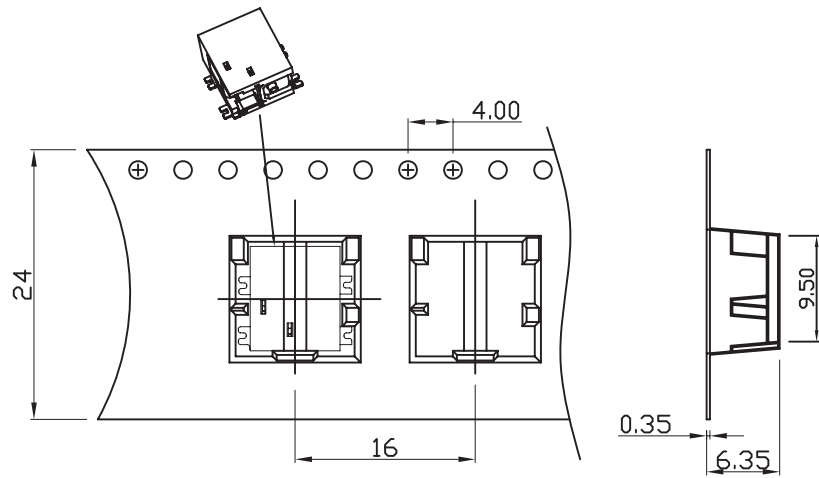
ORDER INFORMATION

DCJ-W15R-10-LF  
SERIES | | | LEADFREE  
1.0Ø  
REEL  
POST 1.5+5.0mm  
90°SMT

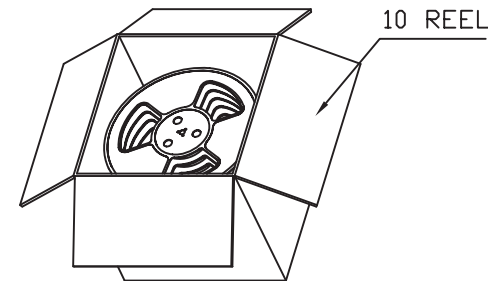
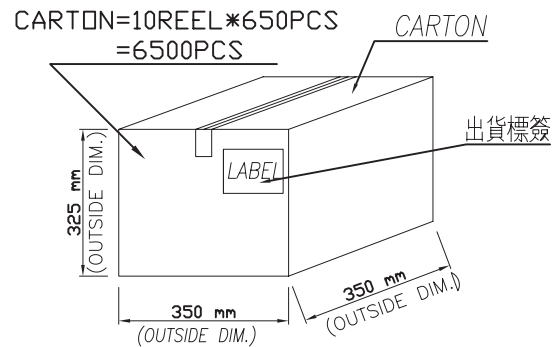
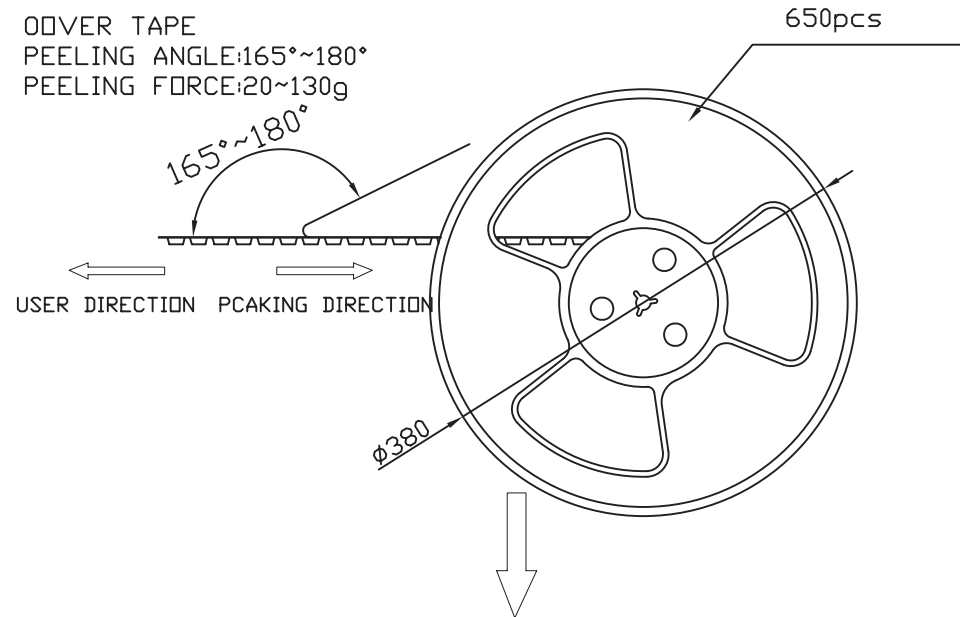
煜倫股份有限公司

www.morethanall.com

DESCRIPTION:



OVER TAPE  
 PEELING ANGLE:165°~180°  
 PEELING FORCE:20~130g



包裝方式及數量:

1. 如上圖所示, 產品錫腳朝下依次序放入載帶中. 包裝時載帶前端空10PCS不放置產品. 每卷放置產品650PCS, 在卷盤上面貼好標籤.

2. 如上圖所示將包裝好的卷盤平放入外箱中, 每個外箱疊放13卷卷盤, 封箱貼好標籤.

合計: 6500PCS/箱

**MORETHANALL**  
 PCB CONNECTORS  
 Cable ASSEMBLIES

煜倫股份有限公司

www.morethanall.com

**RoHS Compliant**

DRAWING BY CY

CHECKED BY GENIUS

UNIT / mm SCALE 1 : 1

DATE

SIZE A4

TOLERANCES ARE

X.±

.X±

.XX±

.XXX±

ANG±

PJECTION

照片框

**ORDER INFORMATION**

DCJ-W15R-10-LF  
 SERIES REEL LEADFREE  
 1.0Ø  
 POST 1.5+5.0mm  
 90°SMT

DESCRIPTION: