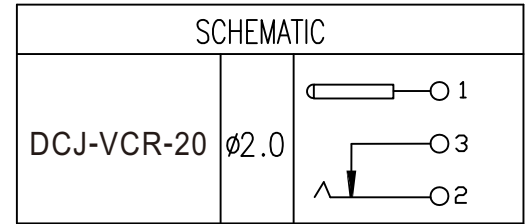


T:1.6 Dimensions of PC board holes  
Tolerance : ±0.1(Printed-top view)



UNLESS OTHERWISE SPECIFIED, TOLERANCE ON DECIMAL: ±0.2

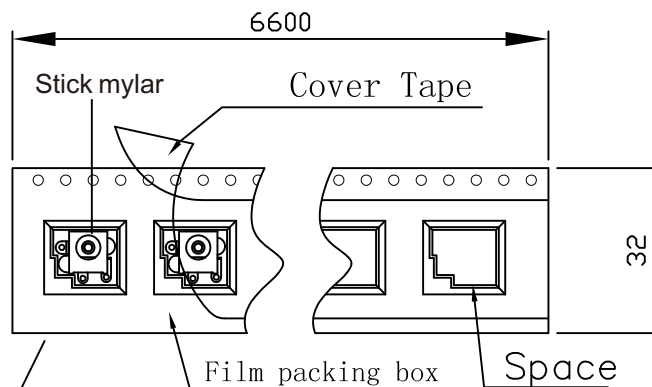
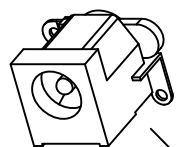
DCJ-VCR-20-LF  
LEADFREE  
RoHS Compliant

6	COVER	1	PA9T	UL-94V0(BLACK)
5	HOUSING	1	PA9T	UL-94V0(BLACK)
4	PIN	1	H59(COPPER ALLOY)	MB:Cu CuSn PLATED
3	TERMINAL	1	C2680 t=0.40	MB:Ni Ag PLATED
2	TERMINAL	1	C5191 t=0.30	MB:Ni Ag PLATED
1	TERMINAL	1	C2680 t=0.40	MB:Ni Ag PLATED
LTR	PART NAME	QTY	MATERIAL	REMARK



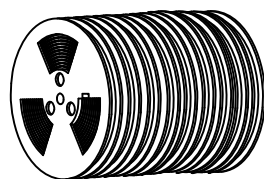
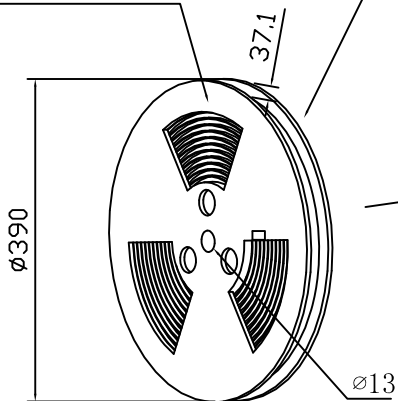
煜倫股份有限公司

PART NO. DCJ-VCR-20		CHECKED BY CY		TOLERANCES ARE X.± .X± .XX± .XXX± ANG	DESCRIPTION: DC POWER JACK
DWG NO. DCJ-VCR-20		DRAWING BY			
FILE NO.		PROJECTION		AREA	REVISIONS
UNIT / mm	SCALE 1:1			DATE	

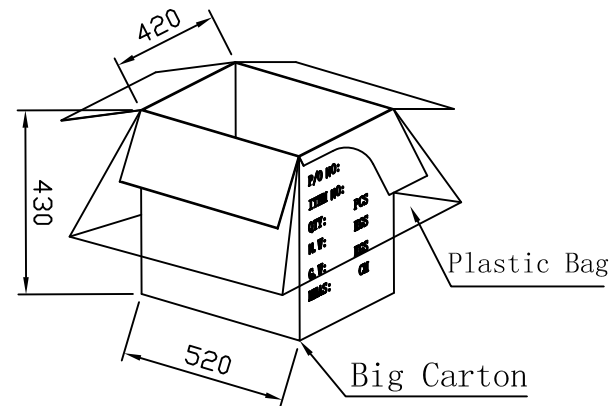


250pcs X 1 =  
250pcs

Embossed Carrier Reel



250pcs X 10 =  
2500pcs



2500pcs X 1 = 2500pcs

Net weight:7Kg  
Total weight:9.5Kg

Unit:mm

	PART NO. DCJ-VCR-20		CHECKED BY CY	TOLERANCES ARE X. ± .X ± .XX ± .XXX ± ANG	DESCRIPTION:			
	DWG NO. DCJ-VCR-20							
焯倫股份有限公司	FILE NO.		PROJECTION	AREA	REVISIONS	DATE		
	UNIT / mm	SCALE 1:1						