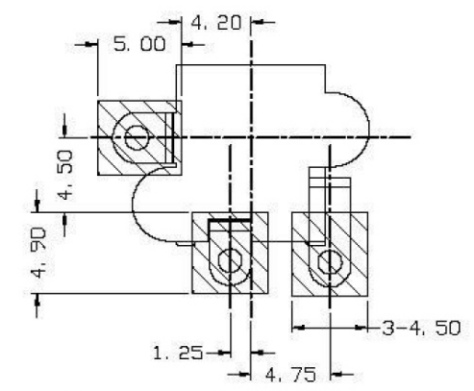
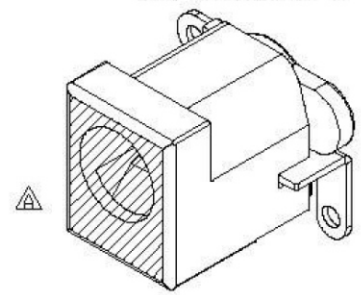


	PIN#	DIA.	TOLER.
SCHEMATIC	A	2.00	+0.0 -0.1
	B	2.50	+0.0 -0.1
	E	2.00	+0.0 -0.1
	F	2.50	+0.0 -0.1

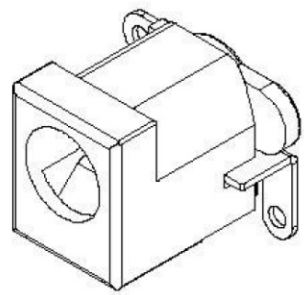


Recommended PAD Layout [TOP VIEW]

COPLANARITY



Kapton Tape



PIN TERMINAL	BRASS	Ag	1	40T
SHUNT TERMINAL	BRASS	Ag	1	40T
SPRING TERMINAL	PBS	Ag	1	30T
CENTER PIN	COPPER	NI	1	2.00/0.50
BOTTOM COVER	PA9T	30%	1	UL94V-0
HOUSING	LCP	30%	1	UL94V-0
NAME	MATERIAL	FINISH	QTY	NOTE

DCJ-V-xx-LF
LEADFREE
20:2.0mm DIA
25:2.5mm DIA

MORETHANALL
CONNECTORS
ASSEMBLIES

PART NO. DCJ-V-xx	
DWG NO. DCJ-V-xx	
FILE NO.	CHECKED BY CY
UNIT / mm	DRAWING BY
SCALE 1:1	PROJECTION

RoHS Compliant	
TOLERANCES ARE	
.X ± 0.2	
.XX ±	
.XXX ±	
AWG	

DESCRIP TION:			
AREA	REVISIONS	HK	DATE

煜倫股份有限公司