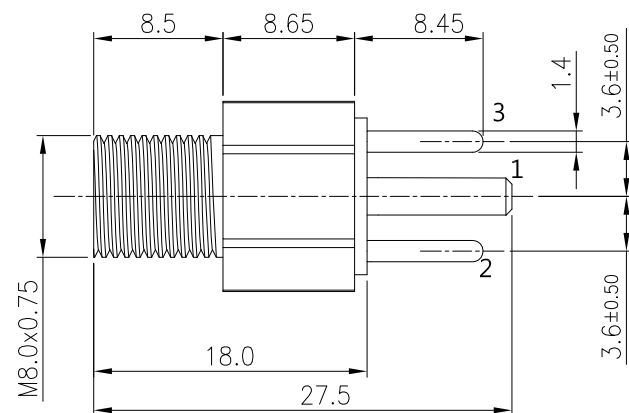
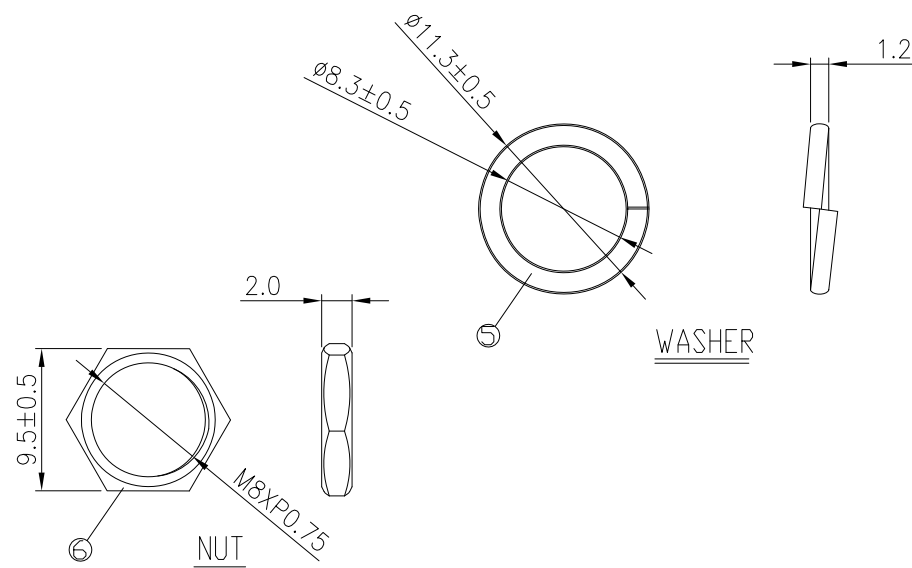
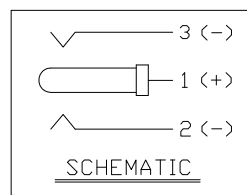


REAR VIEW

1. Dielectric strength: AC 500V/1 minute
2. Insulation resistance : 100MΩ or over. (DC 500V)
3. Contact resistance : 30mΩ or less
4. Extraction force: 0.3~3.0kgf
5. Rated voltage: 20 V
6. Rated current: 10 A



BOTTOM VIEW



LTR	PART NAME	QTY	MATERIAL	REMARK
6	NUT	1	H59(COPPER ALLOY)	Cu/Sn PLATED
5	WASHER	1	H59(COPPER ALLOY)	Cu/Sn PLATED
4	DIELECTRIC	1	PBT	BLACK
3	TERMINAL	1	C5191	Ag PLATED
2	SLEEVE	1	H59(COPPER ALLOY)	Cu/Sn PLATED
1	PIN	1	H59(COPPER ALLOY)	Ag PLATED

UNLESS OTHERWISE SPECIFIED, TOLERANCE ON DECIMAL: ±0.3



煜倫股份有限公司

www.morethanall.com

RoHS Compliant

DRAWING BY CY

CHECKED BY GENIUS

UNIT / mm SCALE 1 : 1

DATE

SIZE A4

TOLERANCES ARE

X. ±
.X ±
.XX ±
.XXX ±
ANG ±

PJECTION

照片框

ORDER INFORMATION

DCJ-SPBT8NW-25A10-LF

SERIES
SOLDER
PANEL
BACK
WASHER
NUT
THREAD 8.5mm
LEADFREE
10A
2.5Ø

DESCRIPTION: DC POWER JACK