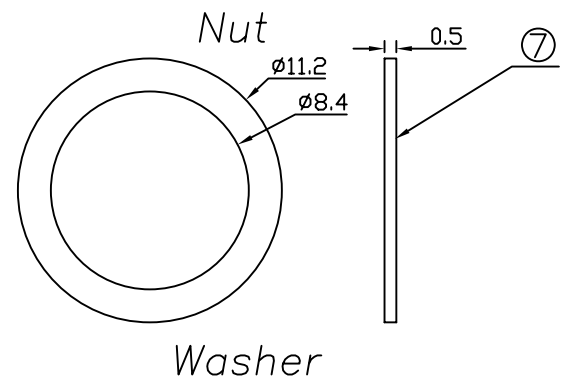
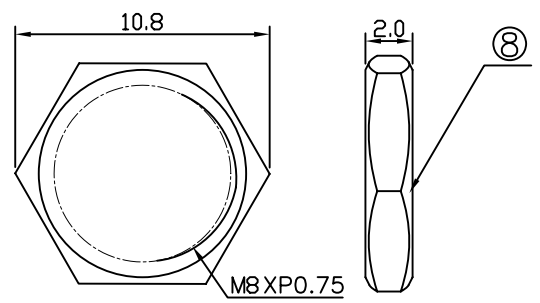


T:1.6 Dimensions of PC board holes  
Tolerance : ±0.05(Printed-top view)



CAT NO.	PIN	SCHEMATIC
DCJ-SPBT8NW-25	Ø2.5	

8	NUT	1	H59(COPPER ALLOY)	Ni PLATED
7	WASHER	1	H59(COPPER ALLOY)	Ni PLATED
6	HOUSING	1	PBT 4815	UL-94V0(BLACK)
5	AXIS SUPPORT	1	C2680	Ni PLATED
4	PIN	1	C2680	Ni PLATED
3	SPRING	1	C5191	Sn PLATED
2	CURVE PIECE	1	C2680	Sn PLATED
1	FLAT PIECE	1	C2680	Sn PLATED
LTR	PART NAME	QTY	MATERIAL	REMARK

UNLESS OTHERWISE SPECIFIED, TOLERANCE ON DECIMAL:±0.3

DCJ-SPBT8NW-25-LF  
LEADFREE

RoHS Compliant



煜倫股份有限公司

PART NO. DCJ-SPBT8NW-25		CHECKED BY CY		TOLERANCES ARE X.± .X± .XX± .XXX± ANG	DESCRIPTION: DC POWER JACK
DWG NO. DCJ-SPBT8NW-25		DRAWING BY			
FILE NO.		PROJECTION		AREA	REVISIONS
UNIT / mm	SCALE 1:1			DATE	