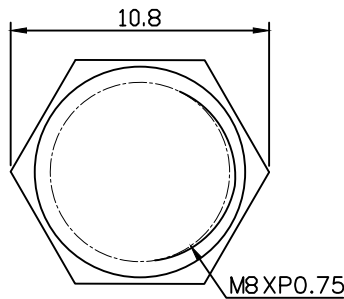
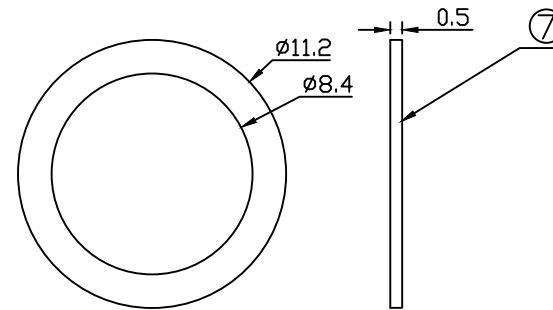
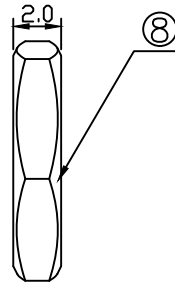


CAT NO.	PIN	SCHEMATIC
DCJ-SPBT8NW-20	Ø2.0	



Nut



Washer

UNLESS OTHERWISE SPECIFIED, TOLERANCE ON DECIMAL: ±0.3

8	NUT	1	H59(COPPER ALLOY)	Ni PLATED
7	WASHER	1	H59(COPPER ALLOY)	Ni PLATED
6	HOUSING	1	PBT 4815	UL-94V0(BLACK)
5	AXIS SUPPORT	1	C2680	Ni PLATED
4	PIN	1	C2680	Ni PLATED
3	SPRING	1	C5191	Sn PLATED
2	CURVE PIECE	1	C2680	Sn PLATED
1	FLAT PIECE	1	C2680	Sn PLATED
LTR	PART NAME	QTY	MATERIAL	REMARK

RoHS Compliant

TOLERANCES ARE

**MORETHANALL**  
PCB CONNECTORS  
Cable ASSEMBLIES

煜倫股份有限公司

www.morethanall.com

DRAWING BY CY

CHECKED BY GENIUS

UNIT / mm SCALE 1:1

DATE

SIZE A4

X, ±  
.X ±  
.XX ±  
.XXX ±  
ANG ±

PJECTION

照片框

ORDER INFORMATION

DCJ-SPBT8NW-20-LF  
SERIES | | | | LEADFREE  
SOLDER | | | | 2.0Ø  
PANEL | | | | NUT  
BACK | | | | THREAD 8.5mm

DESCRIPTION: DC POWER JACK