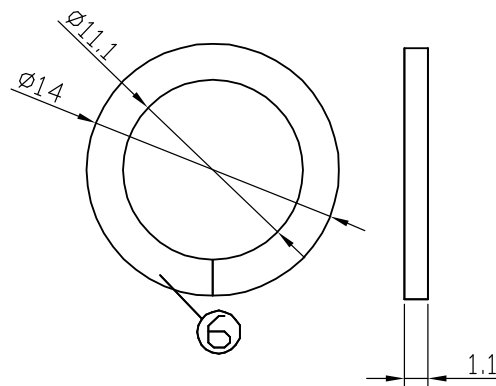
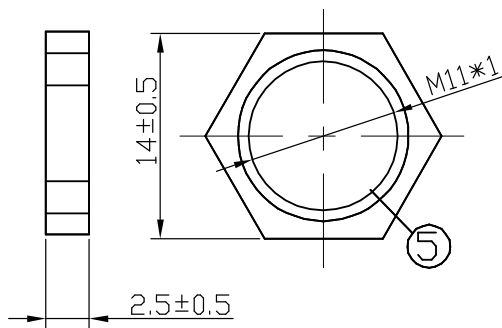


CAT. NO.	PIN	SCHEMATIC
DCJ-SPACNW-20	Ø2.0	1
DCJ-SPACNW-25	Ø2.5	2

Nut

Washer



⑥	Washer	1	IRON	Nickel plating
⑤	Nut	1	COPPER ALLOY	Nickel plating
④	HOUSING	1	PA66	BLACK
③	Bushing	1	COPPER ALLOY	Tin plating
②	Terminal-2	1	BRASS	Tin plating
①	Terminal-1	1	COPPER ALLOY	Tin plating
NO.	DESCRIPTION	QTY	MATERIAL	REMARK

UNLESS OTHERWISE SPECIFIED, TOLERANCE ON DECIMAL: ±0.3

RoHS Compliant

TOLERANCES ARE

MORETHANALL
 PCB CONNECTORS
 Cable ASSEMBLIES

DRAWING BY CY

X.±

CHECKED BY GENIUS

.X±

UNIT/mm

SCALE 1:1

.XX±

DATE

.XXX±

ANG±

SIZE A4

PJECTION

照片框

ORDER INFORMATION

DCJ-SPACNW-xx-LF

SERIES | | | | LEADFREE

20:2.0Ø
 25:2.5Ø
 WASHER
 NUT
 C TYPE

煜倫股份有限公司

www.morethanall.com

DESCRIPTION: DC POWER JACK