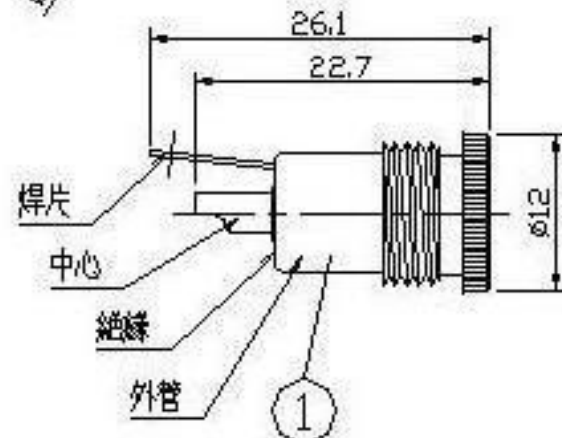
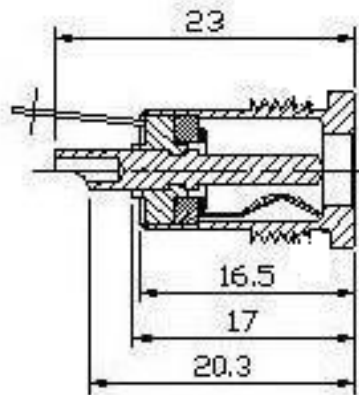
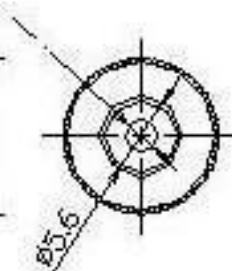
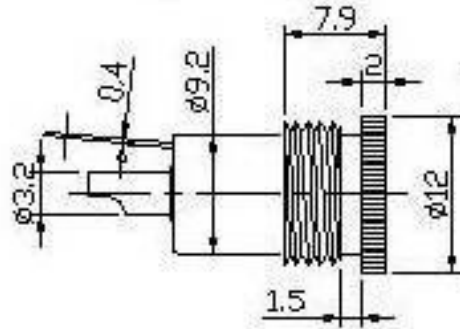
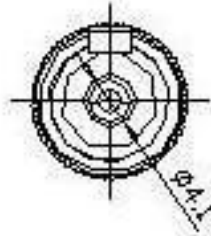
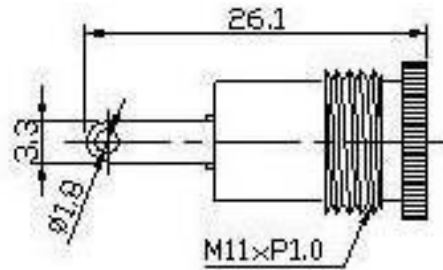


①



ITEM	Components 零件部分	Material Article 材料
1	Lug 焊片	Bronze 青銅
2	Center PIN 中心PIN	Bronze 青銅
3	Insulation 絕緣	ABS
4	Outer tube 外管	Copper 銅

DC500V 100MΩ

AC1000V 1 minute

Rated Voltage And Current:3A

中心φ2.1  
中心φ2.5

RoHS Compliant

TOLERANCES ARE

**MORETHANALL**  
PCB CONNECTORS  
Cable ASSEMBLIES

煜倫股份有限公司

www.morethanall.com

DRAWING BY CY

CHECKED BY GENIUS

UNIT / mm SCALE 1 : 1

DATE

SIZE A4

0.5-5M M±0.2  
5-30M M±0.4  
30-120M M±0.6  
120-315M M±1.0  
315-1000M M±1.6

PPOJECTION

照片框

ORDER INFORMATION

DCJ-SPAC-xx-LF  
SERIES | LEADFREE  
SOLDER | C TYPE  
PANEL FRONT

DESCRIPTION: