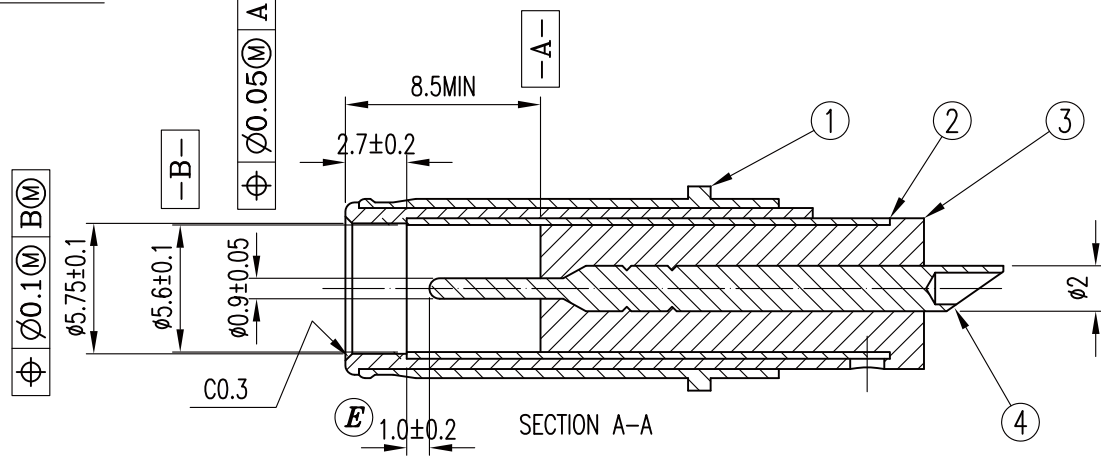


XX
Cav.NO (1,2,3,...)
Monthly Code (A,B,C,D)



④ FOR 65W CABLE

NO	CONTENT
4	BRASS NICKEL/GOLD(100u"/5u")
3	PBT YELLOW
2	BRASS NICKEL(100u")
1	BRASS NICKEL(100u")

RoHS Compliant

TOLERANCES ARE

X.±
.X±
.XX±
.XXX±
ANG±

DRAWING BY CY

CHECKED BY GENIUS

UNIT / mm SCALE 1 : 1

DATE

SIZE A4

PJECTION

照片框

ORDER INFORMATION

DCJ-S-7909-LF
SERIES | LEADFREE
ID:0.9Ø
OD:7.9Ø
SOLDER

DESCRIPTION: DC PLUG Ø7.9XØ0.9X29.0L

MORETHANALL
PCB CONNECTORS
Cable ASSEMBLIES

煜倫股份有限公司

www.morethanall.com