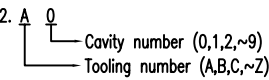
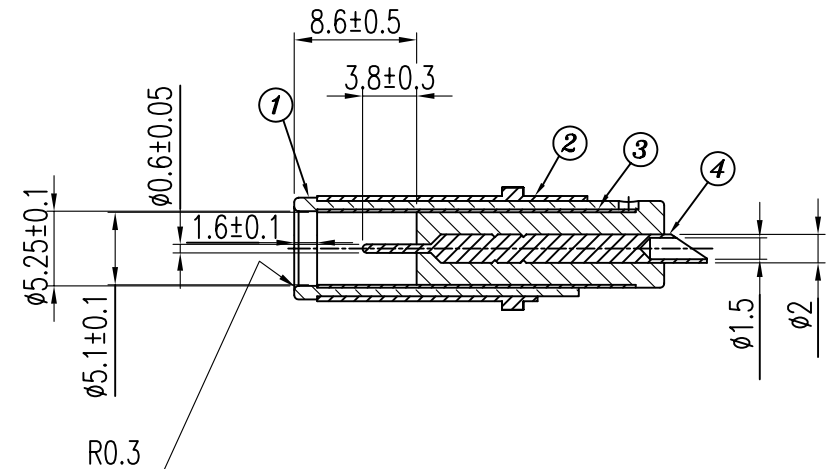
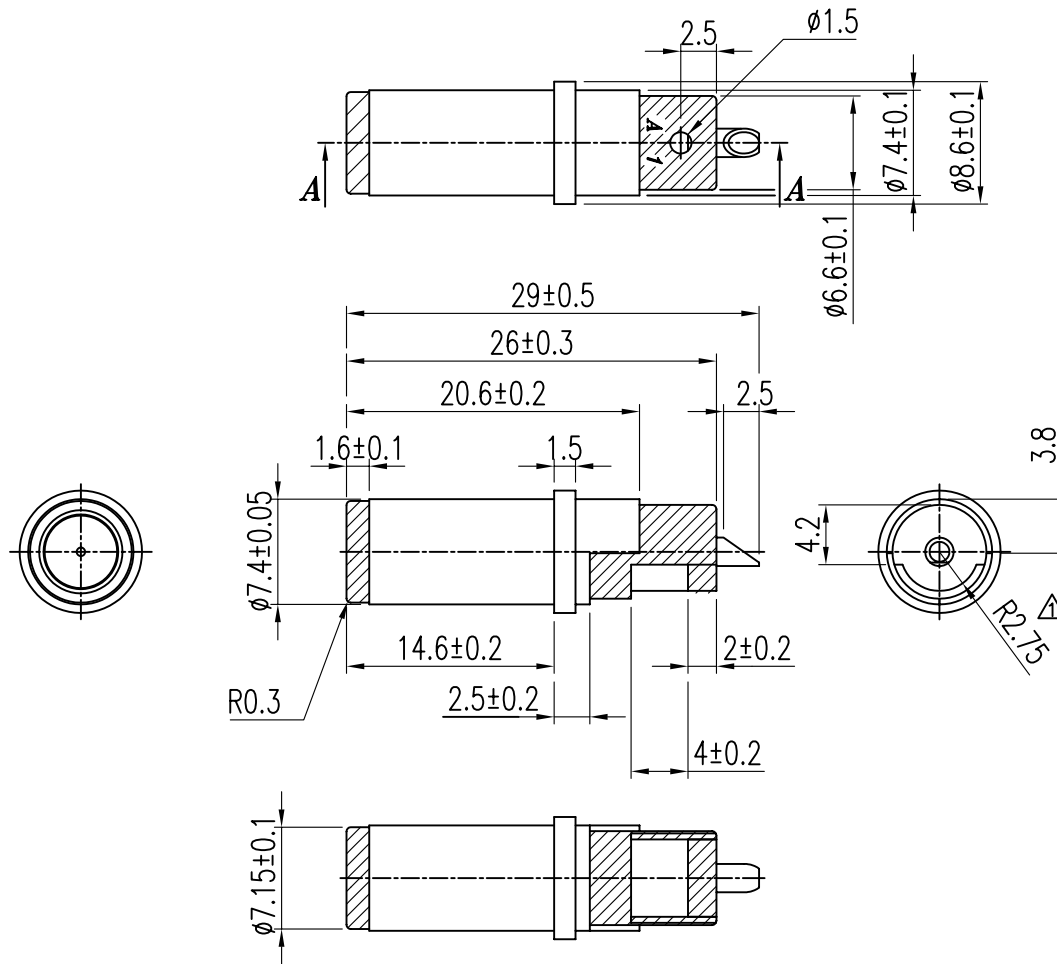


NOTE:

1. ELECTRICAL CHARACTERISTICS:
  - 1-1. DIELECTRIC WITHSTANDING VOLTAGE: 100 V RMS AFTER 1 MINUTE.
  - 1-2. INSULATION RESISTANCE: 500 MEGAOHMS MIN. AT 500 V DC AFTER 1 MINUTE.
2. MECHANICAL CHARACTERISTICS:
  - 2-1. CONTACT RETENTION FORCE (MIN. ): 30 N
3. TEXT:
  - 3-1. 1.0mm(H) X 1.0mm Min.(W) X 0.05mm Max.(D)
  - 3-2. 
    - Cavity number (0,1,2,~9)
    - Tooling number (A,B,C,~Z)



|    |                               |
|----|-------------------------------|
| 4  | BRASS NICKEL/GOLD (100u"/5u") |
| 3  | BRASS COPPER/NICKEL (100u")   |
| 2  | BRASS COPPER/NICKEL (100u")   |
| 1  | PBT BLACK                     |
| NO | CONTENT                       |

RoHS Compliant

TOLERANCES ARE

**MORETHANALL**  
PCB CONNECTORS  
Cable ASSEMBLIES

DRAWING BY CY

CHECKED BY GENIUS

UNIT / mm

SCALE 1 : 1

DATE

SIZE A4

X, ±  
.X ±  
.XX ±  
.XXX ±  
ANG ±

PJECTION



ORDER INFORMATION

DCJ-S-5106-LF  
SERIES | LEADFREE  
5.1ØX0.6Ø  
SOLDER

煜倫股份有限公司

www.morethanall.com

DESCRIPTION: DC PLUG ø7.4\*ø5.1\*P0.6\*29.0L