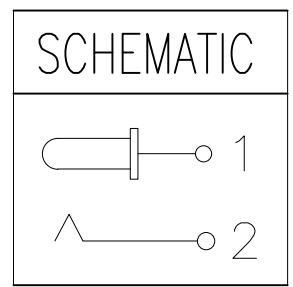
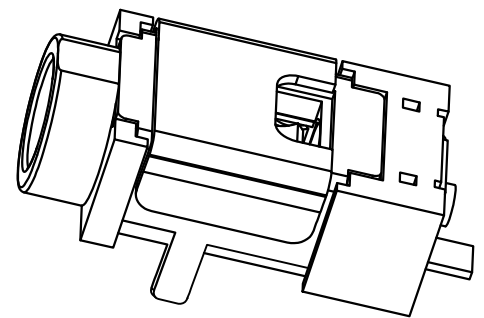
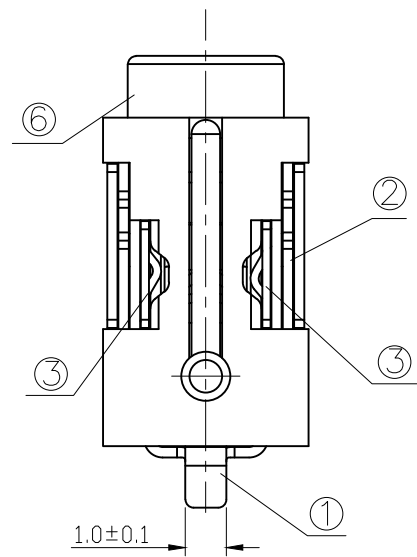


T:1.6 Dimensions of PC board holes
Tolerance : ±0.05(Printed-top view)



6	HOUSING	1	PA9T	UL-94V0(BLACK)
5	PIN	1	H59(COPPER ALLOY)	Cu/Sn PLATED
4	COAT	1	C5191 t=0.25	Ag PLATED
3	TERMINAL	2	C5191 t=0.20	Ag PLATED
2	TERMINAL 2#	1	C5191 t=0.25	Ag PLATED
1	TERMINAL 1#	1	C5191 t=0.25	Ag PLATED
LTR	PART NAME	QTY	MATERIAL	REMARK

UNLESS OTHERWISE SPECIFIED, TOLERANCE ON DECIMAL: ±0.2

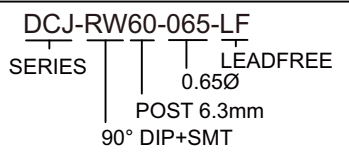
RoHS Compliant

TOLERANCES ARE

X.±
.X±
.XX±
.XXX±
ANG±

照片框

ORDER INFORMATION



煜倫股份有限公司

www.morethanall.com

DRAWING BY CY	
CHECKED BY GENIUS	
UNIT / mm	SCALE 1 : 1
DATE	
SIZE A4	P PROJECTION

DESCRIPTION: DC POWER JACK