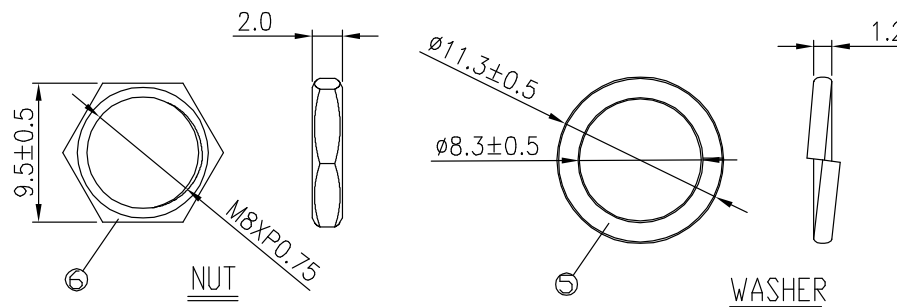
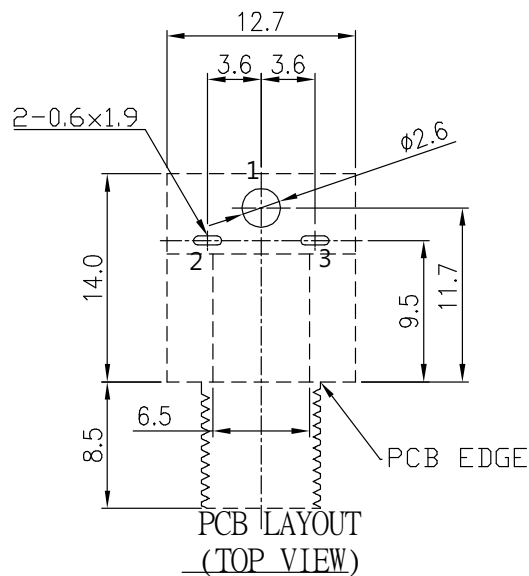
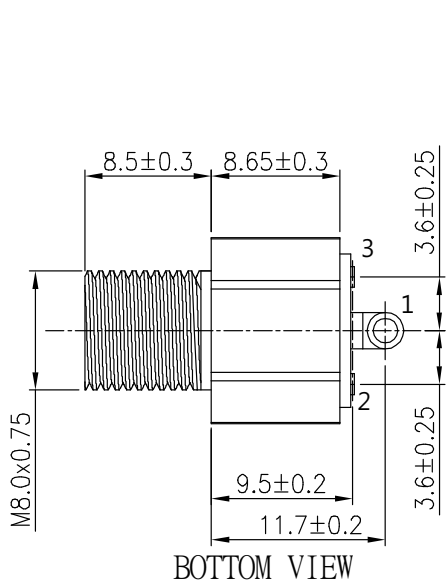
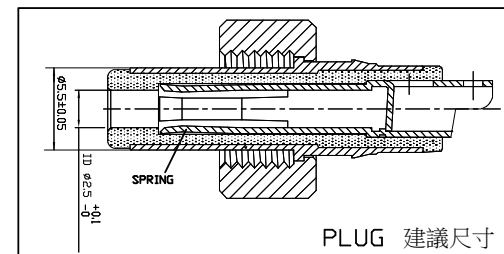
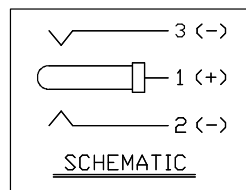


1. Dielectric strength: AC 500V/1 minute
2. Insulation resistance : 100MΩ or over. (DC 500V)
3. Contact resistance : 30mΩ or less



6	NUT	1	H59(COPPER ALLOY)	Cu/Sn PLATED
5	WASHER	1	H59(COPPER ALLOY)	Cu/Sn PLATED
4	DIELECTRIC	1	PBT	UL-94V0(BLACK)
3	TERMINAL	1	C5191	Ag PLATED
2	SLEEVE	1	Hpb59-1(C3604)	Cu/Sn PLATED
1	PIN	1	Phosphor Bronze	Ag PLATED
LTR	PART NAME	QTY	MATERIAL	REMARK

RoHS Compliant

TOLERANCES ARE

**MORETHANALL**  
PCB CONNECTORS  
Cable ASSEMBLIES

煜倫股份有限公司

www.morethanall.com

DRAWING BY CY

X. ± 0.30

CHECKED BY GENIUS

.X ± 0.20

UNIT / mm

SCALE 1 : 1

.XX ± 0.10

DATE

.XXX ± 0.05

ANG ±

SIZE A4

PJECTION

照片框

ORDER INFORMATION

DCJ-RPBT8NW09-25-LF  
SERIES  
DIP 90°  
PANEL BACK  
LEADFREE  
2.50  
9.5mm  
WASHER  
NUT  
THREAD 8.0mm

DESCRIPTION:DC POWER JACK