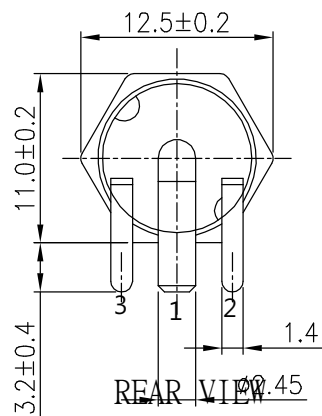
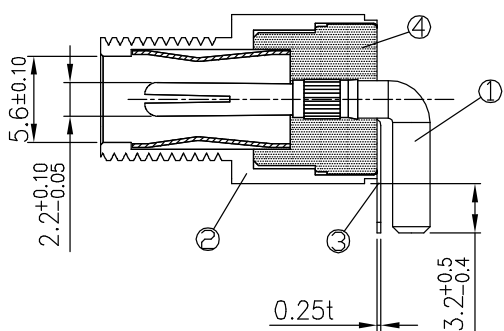
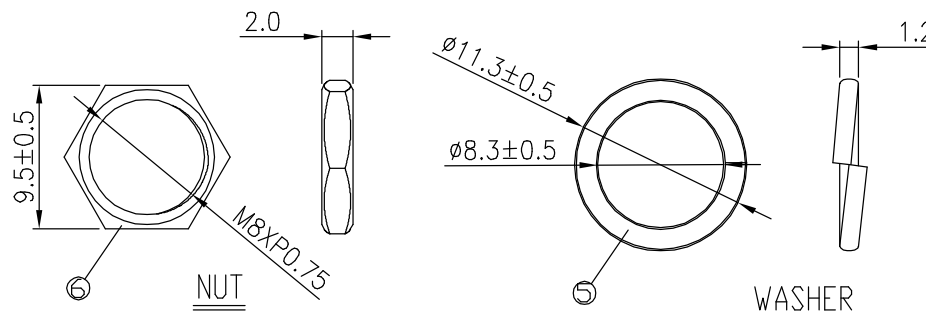
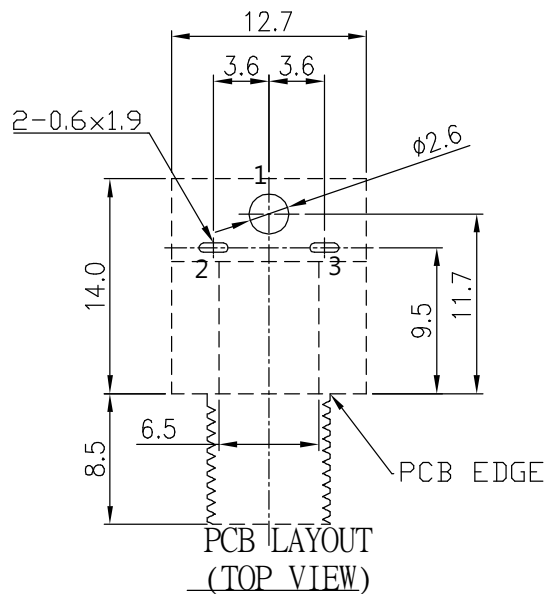
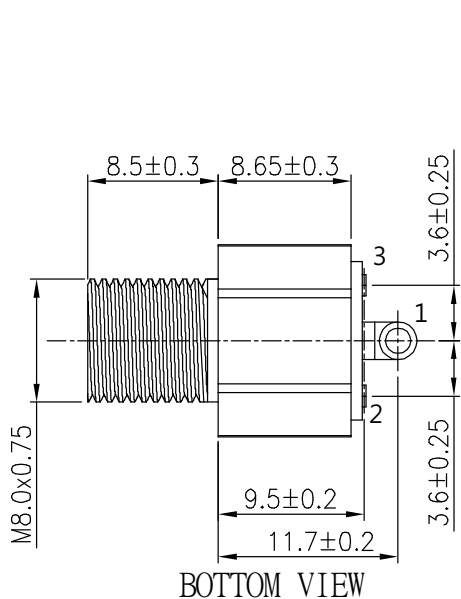
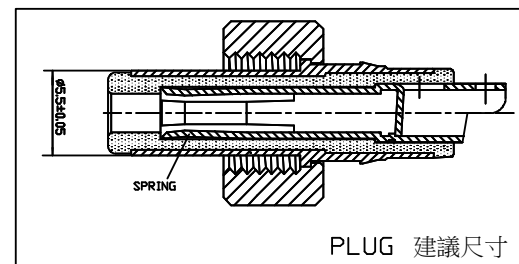
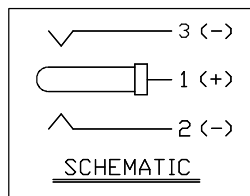


* RoHS COMPLIANT *



1. Dielectric strength: AC 500V/1 minute
2. Insulation resistance : 100MΩ or over. (DC 500V)
3. Contact resistance : 30mΩ or less



6	NUT	1	H59(COPPER ALLOY)	Cu/Sn	PLATED
5	WASHER	1	H59(COPPER ALLOY)	Cu/Sn	PLATED
4	DIELECTRIC	1	PBT	BLACK	
3	TERMINAL	1	C5191	Ag	PLATED
2	SLEEVE	1	Hpb59-1(C3604)	Cu/Sn	PLATED
1	PIN	1	Phosphor Bronze	Ag	PLATED
LTR	PART NAME	QTY	MATERIAL	REMARK	

RoHS Compliant

TOLERANCES ARE

MORETHANALL
PCB CONNECTORS
Cable ASSEMBLIES

DRAWING BY CY

X ± 0.30

CHECKED BY GENIUS

.X ± 0.20

UNIT / mm

SCALE 1 : 1

.XX ± 0.10

.XXX ± 0.05

ANG ±

DATE

SIZE A4

P PROJECTION

照片框

ORDER INFORMATION

DCJ-RPBT8NW09-20-LF

SERIES | | | | | LEADFREE

DIP 90° 9.5mm
PANEL BACK WASHER
NUT
THREAD 8.0mm

DESCRIPTION: DC POWER JACK

煜倫股份有限公司

www.morethanall.com