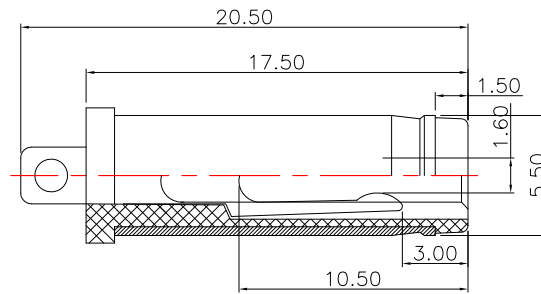
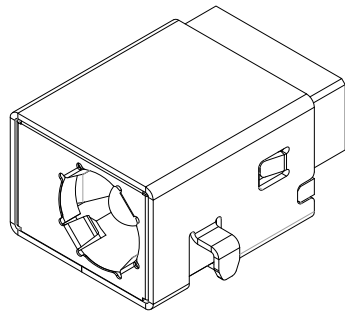


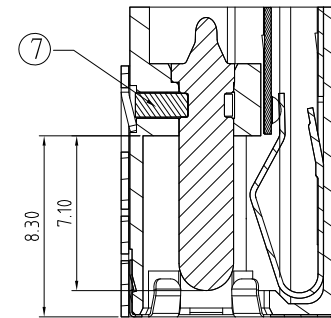
P.C.B LAYOUT
TOP VIEW

SPECIFICATION

1. Rating : DC 24V 5.0A ;
2. Contact resistance : $\leq 30m\Omega$;
3. Insulation resistance : $\geq 100M\Omega$;
4. Withstand voltage : 500VAC ;
5. Insertion force : 3-30N;
extraction force : 3-30N;
6. life test : 5,000 cycles °



MATING PLUG $\phi 5.50$



Model No.	
SCHEMATIC	
CENTER PIN	$\phi 2.00$ mm
	$\phi 2.50$ mm

NO.	DESCRIPTION	QTY	MATERIAL	PLATING
⑦	STOPPER	1	SUS	
⑥	SHELL	1	BRASS	Ni-Plating
⑤	GROUND	1	SUS	
④	PIN	1	BRASS	Ni-Plating
③	CONTACT FOOT	1	BRASS	Ni-Plating
②	SPRING	1	PHOSPHOR BRONZE	Ni-Plating
①	HOUSING	1	LCP	Black

RoHS Compliant

TOLERANCES ARE

MORETHANALL
PCB CONNECTORS
Cable ASSEMBLIES

煜倫股份有限公司

www.morethanall.com

DRAWING BY CY

CHECKED BY GENIUS

UNIT / mm

SCALE 1 : 1

DATE

SIZE A4

P PROJECTION

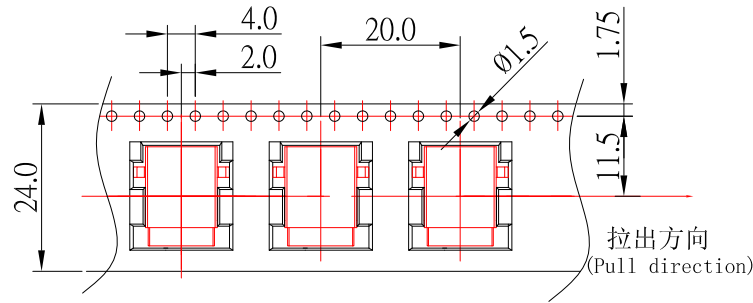
Up to 5 ± 0.2
Above 5 ~ 15 ± 0.3
Above 15 ~ 30 ± 0.4
Above 30 ~ 50 ± 0.5
Angle ± 0.3

照片框

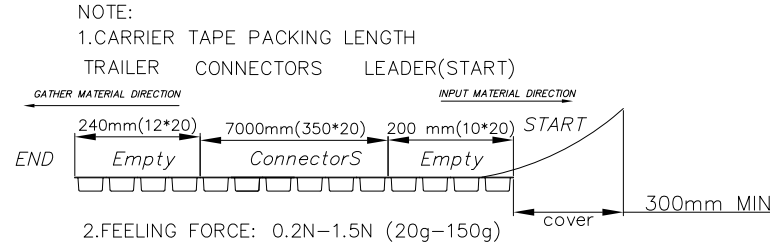
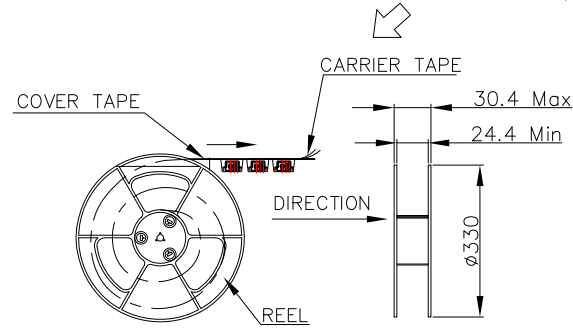
ORDER INFORMATION

DCJ-RFMR-xx-LF
SERIES | | | | LEADFREE
20:2.00
25:2.50
DIP 90° REEL
METAL OFFSET

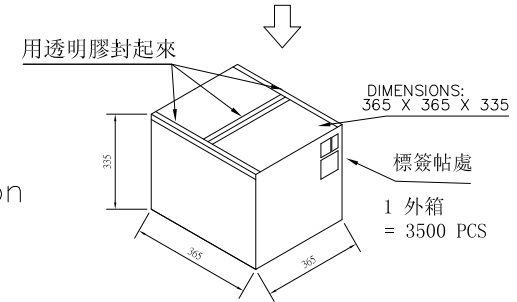
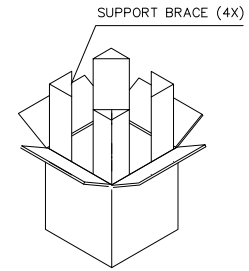
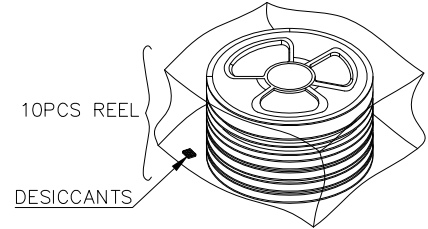
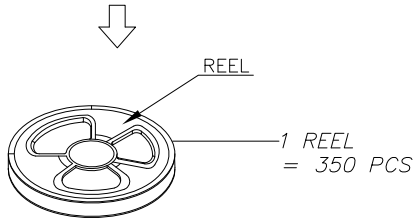
DESCRIPTION: DC JACK



NOTE:
 1.Reel (330X30.4mm)
 2.Carton (365 X 365 X 335mm)
 3.Unit: mm
 4.N.W.= __ kg; G.W = __ kg



NOTE:
 1.CARRIER TAPE PACKING LENGTH
 TRAILER CONNECTORS LEADER(START)
 2.FEELING FORCE: 0.2N-1.5N (20g-150g)



1 Carton
 = 350 pcs /REEL
 = 10PCS REEL/Carton
 = 3500 pcs/Carton

RoHS Compliant

TOLERANCES ARE

照片框

ORDER INFORMATION

MORETHANALL
 PCB CONNECTORS
 Cable ASSEMBLIES

煜倫股份有限公司

www.morethanall.com

DRAWING BY CY
 CHECKED BY GENIUS
 UNIT / mm SCALE 1 : 1
 DATE
 SIZE A4 PPROJECTION

Up to 5 ±0.2
 Above 5 ~ 15 ±0.3
 Above 15 ~ 30 ±0.4
 Above 30 ~ 50 ±0.5
 Angle ±0.3

DCJ-RFMR-xx-LF
 SERIES LEADFREE
 20:2.0Ø
 25:2.5Ø
 REEL
 DIP 90° METAL
 OFFSET

DESCRIPTION: DC JACK