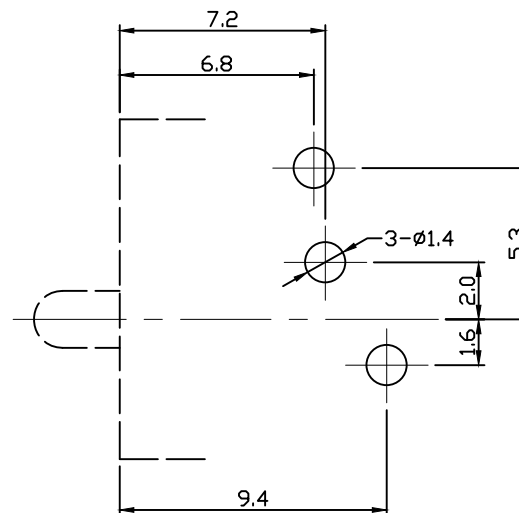
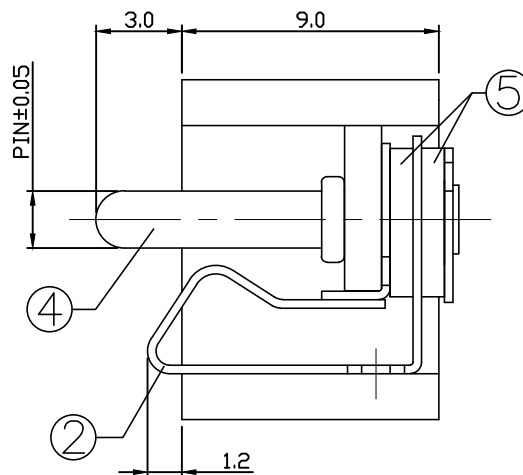
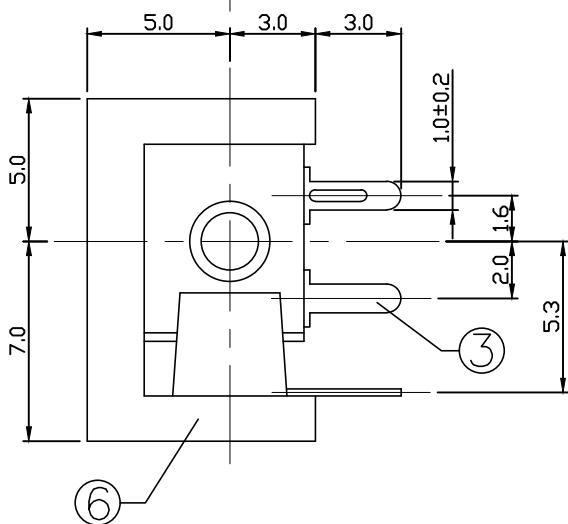


1. INSERTION FORCE : 0.3~3.0 KGF
2. WITHDRAWAL FORCE : 0.3~3.0 KGF
3. LIFE TEST: 5,000 CYCLES.



T:1.6 Dimensions of PC board holes
Tolerance : ±0.05(Printed-top view)

CAT. NO.	PIN	SCHEMATIC
DCJ-R60-25	∅2.5	

6	HOUSING	1	PBT 4815	UL-94V0(BLACK)
5	COVER	1	PF	
4	CENTER PIN	1	H59(COPPER ALLOY)	Ni PLATED
3	SHUNT TERMINAL	1	C2680	Ag PLATED
2	TIP SPRING	1	SUS301	Ag PLATED
1	CENTER PIN TERMINAL	1	C2680	Ag PLATED
LTR	PART NAME	QTY	MATERIAL	REMARK

UNLESS OTHERWISE SPECIFIED, TOLERANCE ON DECIMAL: ±0.3

RoHS Compliant

TOLERANCES ARE

MORETHANALL
PCB CONNECTORS
Cable ASSEMBLIES

DRAWING BY CY

X, ±

CHECKED BY GENIUS

.X ±

UNIT / mm

SCALE 1 : 1

.XX ±

DATE

.XXX ±

ANG ±

SIZE A4

P PROJECTION

照片框

ORDER INFORMATION

DCJ-R60-25-LF
SERIES | LEADFREE
2.5∅
PIN TO PIN 6.9mm
DIP 90°

煜倫股份有限公司

www.morethanall.com

DESCRIPTION: DC POWER JACK