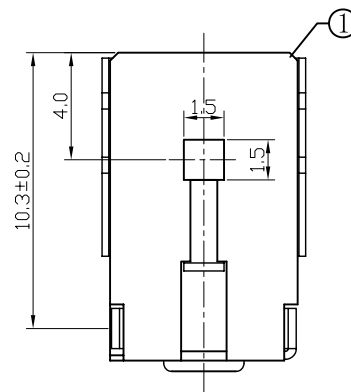


T:1.6 Dimensions of PC board holes  
Tolerance : ±0.05(Printed-top view)

CAT. NO.	PIN	SCHEMATIC
DCJ-R40M-20	φ2.0	
DCJ-R40M-25	φ2.5	
DCJ-R40M-165	φ1.65	
DCJ-R40M-235	φ2.35	



LTR	PART NAME	QTY	MATERIAL	REMARK
6	COAT	1	C2680 t=0.25	Ni PLATED
5	PIN	1	H59(COPPER ALLOY)	Ni PLATED
4	CONTACT FOOT	1	C2680 t=0.30	Ag PLATED
3	CURVE PIECE	1	C2680 t=0.30	Ag PLATED
2	SPRING	1	SUS301 t=0.30	Ag PLATED
1	HOUSING	1	PBT 4815	UL-94V0(BLACK)

UNLESS OTHERWISE SPECIFIED, TOLERANCE ON DECIMAL: ±0.3

RoHS Compliant

TOLERANCES ARE

**MORETHANALL**  
PCB CONNECTORS  
Cable ASSEMBLIES

DRAWING BY CY

X.±

CHECKED BY GENIUS

.X±

UNIT / mm

SCALE 1 : 1

.XX±

DATE

.XXX±

ANG±

SIZE A4

P PROJECTION

照片框

ORDER INFORMATION

DCJ-R40M-xx-LF

SERIES | LEADFREE  
20:2.00  
25:2.50  
DIP 90° 165:1.650  
POST 4.0mm 235:2.350  
METAL

煜倫股份有限公司

www.morethanall.com

DESCRIPTION: DC POWER JACK