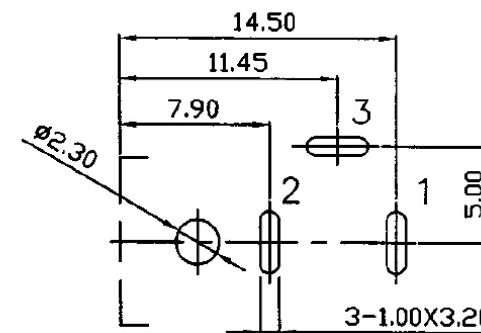


6.	Cover	PBT+30% Fibre Glass	1	Black Color
5.	Housing	PBT+30% Fibre Glass	1	Black Color
4.	Pin(2.5 $\phi$ )	Copper	1	Nickel Plated
3.	Break Terminal	0.4T Brass	1	Silver Plated
2.	Sleeve Spring	0.2T Phosphor Bronze	1	Silver Plated
1.	Pin Terminal	0.4T Brass	1	Silver Plated
NO.	Description	Material	Q'TY	Finish



Pin Hole Layout  
(Jack Bottom View)

#### SPECIFICATIONS:

Contact Resistance : 30m $\Omega$  max  
 Insulation Resistance : 100M $\Omega$  min. at DC 500V  
 Dielectric Withstand Voltage : AC 500V for one minute  
 Remark: ▲: The Most Important Dimension

RoHS Compliant

TOLERANCES ARE

**MORETHANALL**  
PCB CONNECTORS  
Cable ASSEMBLIES

煜倫股份有限公司

www.morethanall.com

DRAWING BY CY

CHECKED BY GENIUS

UNIT/mm SCALE 1:1

DATE

SIZE A4

X,  $\pm$   
 X,  $\pm$   
 .XX  $\pm$   
 .XXX  $\pm$   
 ANG  $\pm$

P PROJECTION

照片框

ORDER INFORMATION

DCJ-R40LK-25-LF  
 SERIES | | | LEADFREE  
 | | | 2.5  $\phi$   
 | | | WITH LOCK  
 | | | POST 4.1mm  
 | | | DIP 90°

DESCRIPTION: