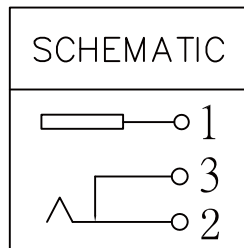
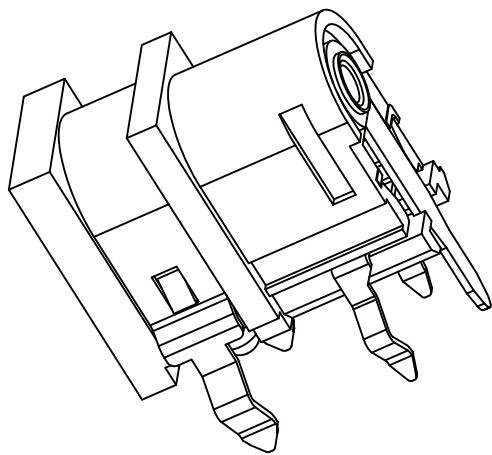


T:1.6 Dimensions of PC board holes
Tolerance : ±0.1(Printed-top view)



6	HOUSING	1	PBT 4815	UL-94V0(BLACK)
5	PIN	1	H59(COPPER ALLOY)	MB:Cu Ni PLATED
4	CONTACT FOOT	1	C2680 t=0.30	MB:Ni Ag PLATED
3	CURVE PIECE	1	C2680 t=0.35	MB:Ni Ag PLATED
2	SPRING PIECE	1	C5191 t=0.25	MB:Ni Ag PLATED
1	FLAT PIECE	1	C2680 t=0.30	MB:Ni Ag PLATED
LTR	PART NAME	QTY	MATERIAL	REMARK

UNLESS OTHERWISE SPECIFIED, TOLERANCE ON DECIMAL: ±0.3

RoHS Compliant

TOLERANCES ARE

MORETHANALL
PCB CONNECTORS
Cable ASSEMBLIES

煜倫股份有限公司

www.morethanall.com

DRAWING BY CY

CHECKED BY GENIUS

UNIT / mm SCALE 1 : 1

DATE

SIZE A4

X.±
.X±
.XX±
.XXX±
ANG±

PJECTION

照片框

ORDER INFORMATION

DCJ-R30M-165-LF
SERIES | | LEADFREE
| | 1.65Ø
| METAL
| POST 3.6mm
| DIP 90°

DESCRIPTION: