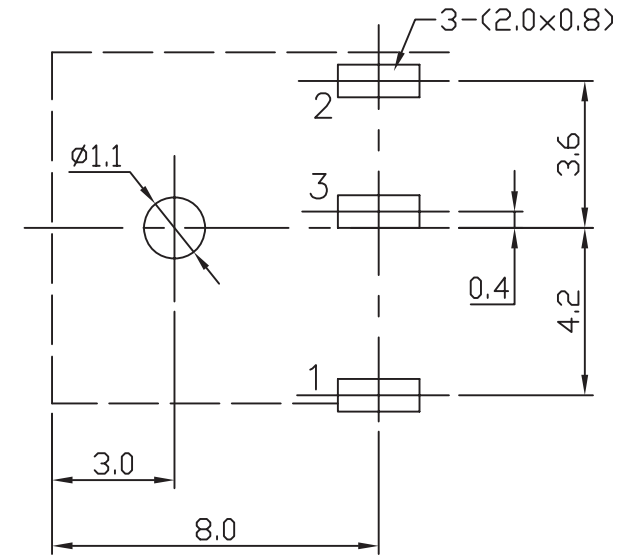
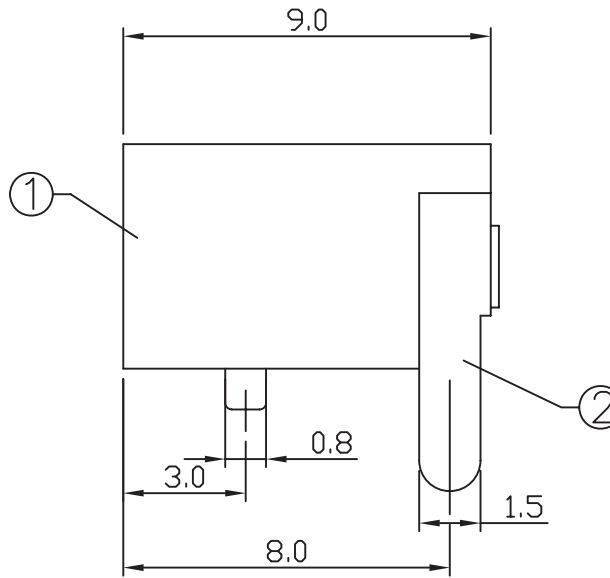
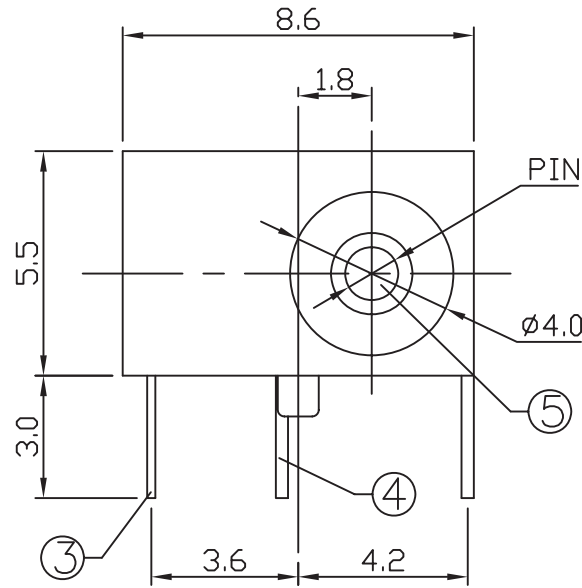


* Rated voltage/ Rated current :16V/3A



T:1.6 Dimensions of PC board holes

Tolerance : ±0.1(Printed-top view)

CAT. NO.	PIN	SCHEMATIC
DCJ-R30-10	φ1.0	

DCJ-R30-10-LF
LEADFREE

RoHS Compliant

UNLESS OTHERWISE SPECIFIED, TOLERANCE ON DECIMAL: @0.3

5	PIN	1	C2680	MB:Cu Cu/Sn PLATED
4	CURVE PIECE	1	C2680	MB:Cu Sn PLATED
3	SPRING	1	SUS 301	MB:Ni Sn PLATED
2	FLAT PIECE	1	C2680	MB:Cu Sn PLATED
1	HOUSING	1	PBT 4815	UL-94V0(BLACK)
LTR	PART NAME	QTY	MATERIAL	REMARK

MORETHANALL
CONNECTORS
ASSEMBLIES

PART NO. DCJ-R30-10

DWG NO. DCJ-R30-10

FILE NO.

UNIT / mm

SCALE 1:1

CHECKED BY CY

DRAWING BY

PROJECTION



TOLERANCES ARE

.X ± 0.2
.XX ±
.XXX ±
AWG

DESCRIPTION: DC POWER JACK

AREA

REVISIONS

HK

DATE

焯倫股份有限公司