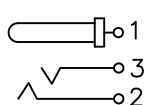
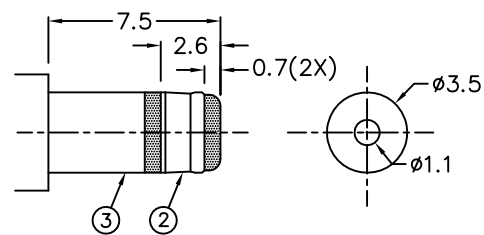
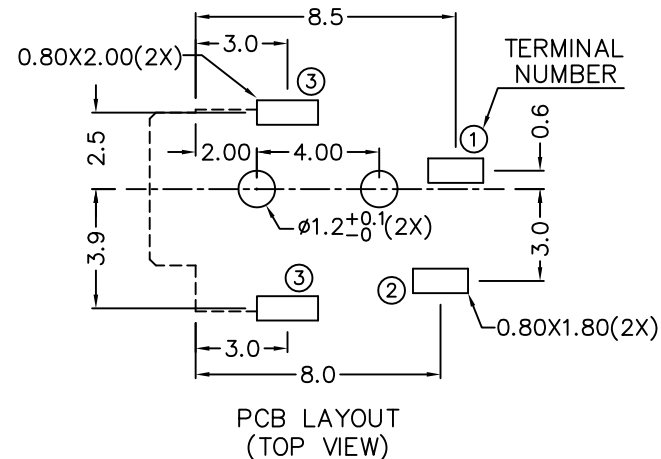


*** MATERIAL**

TERMINAL 1 : BRASS
 TERMINAL 2 : COPPER ALLOY
 TERMINAL 3 : COPPER ALLOY
 HOUSING : PA66

MODEL NO.	DCJ-R24-10
SCHMATIC	
CENTER PIN	φ1mm

RATING: 3.5A / 16V DC



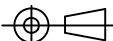
DC MATE PLUG

DCJ-R24-10-LF
 LEADFREE

RoHS Compliant

MORETHANALL
 CONNECTORS
 ASSEMBLIES

煜倫股份有限公司

PART NO. DCJ-R24-10		CHECKED BY CY		TOLERANCES ARE X ± .X ± 0.2 .XX ± 0.1 .XXX ± 0.05 ANG	DESCRIPTION: HIGH CURRENT DC POWER SOCKET
DWG NO. DCJ-R24-10		DRAWING BY			
FILE NO.		PROJECTION 		AREA	REVISIONS
UNIT / mm	SCALE 1:1			DATE	