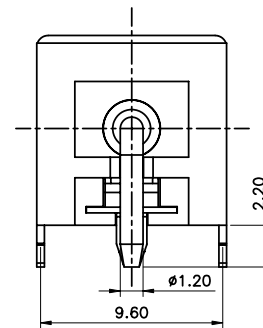
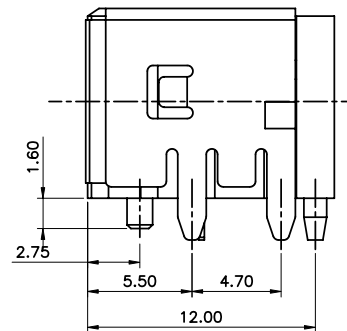
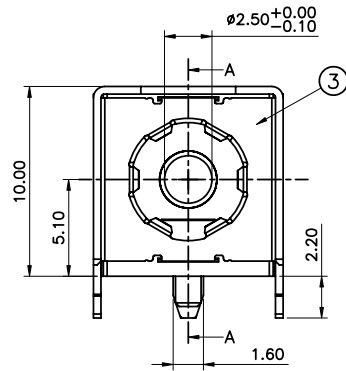
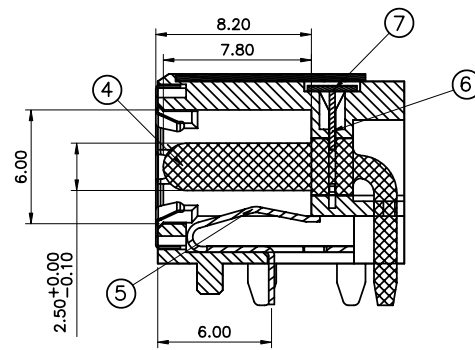
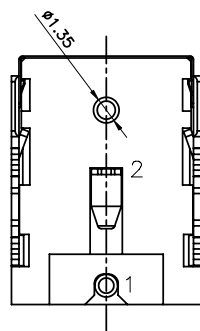


RECOMMENDED P.C.B LAYOUT
ALL TOLERANCES ARE ± 0.03

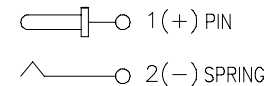
ITEM	PARTS NAME	Q'TY	MATERIAL	FINISH/REMARK
1	HOUSING	1	SYNTHETIC RESIN	UL-94-V0(Black)
2	SHELL-1	1	COPPER ALLOY T=0.4	TIN PLATING
3	SHELL-2	1	STAINLESS T=0.1	-----
4	CONTACT-1	1	COPPER ALLOY	3u" Gold Flash Over All
5	CONTACT-2	1	COPPER ALLOY T=0.3	CONTACT:3u" Gold Flash Solder Tails:Tin
6	LATCH	1	STAINLESS T=0.3	-----
7	ISOULATION FILM	1	MYLAR	-----



SPECIFICATION
MATERIAL
See drawing
STANDARD DATA
Rating:DC 20V 10A
ELECTRICAL
Insulator resistance: 100M ohms Min. @ 500 VDC
Withstanding voltage: 250 VAC / minute
Contact resistance: 50 m ohms
MECHANICAL
Mating force: 30N(3.06kgf) Max.
Unmating force (Without lock): 4.2N(0.43kgf) Min.
Durability: 5000 cycles Min.
Contact retention force: 4.2N(0.43kgf) Min



SECTION:A-A



ELECTRICAL CIRCUIT

RoHS Compliant

TOLERANCES ARE

MORETHANALL
PCB CONNECTORS
Cable ASSEMBLIES

煜倫股份有限公司

www.morethanall.com

DRAWING BY CY

CHECKED BY GENIUS

UNIT / mm

SCALE 1 : 1

DATE

SIZE A4

PPOJECTION

X, \pm
.X \pm 0.20
.XX \pm 0.15
.XXX \pm 0.10
ANG \pm 5°

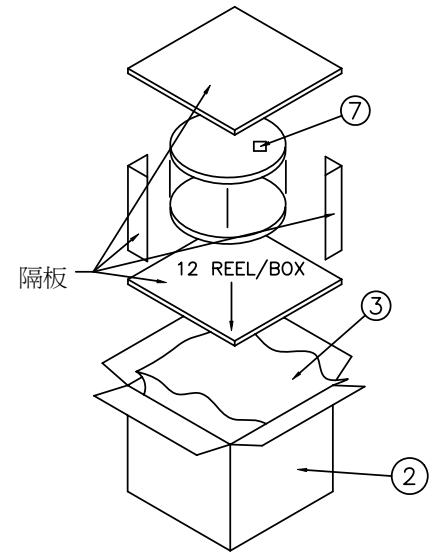
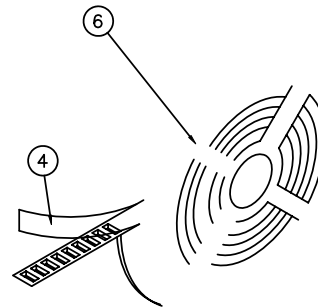
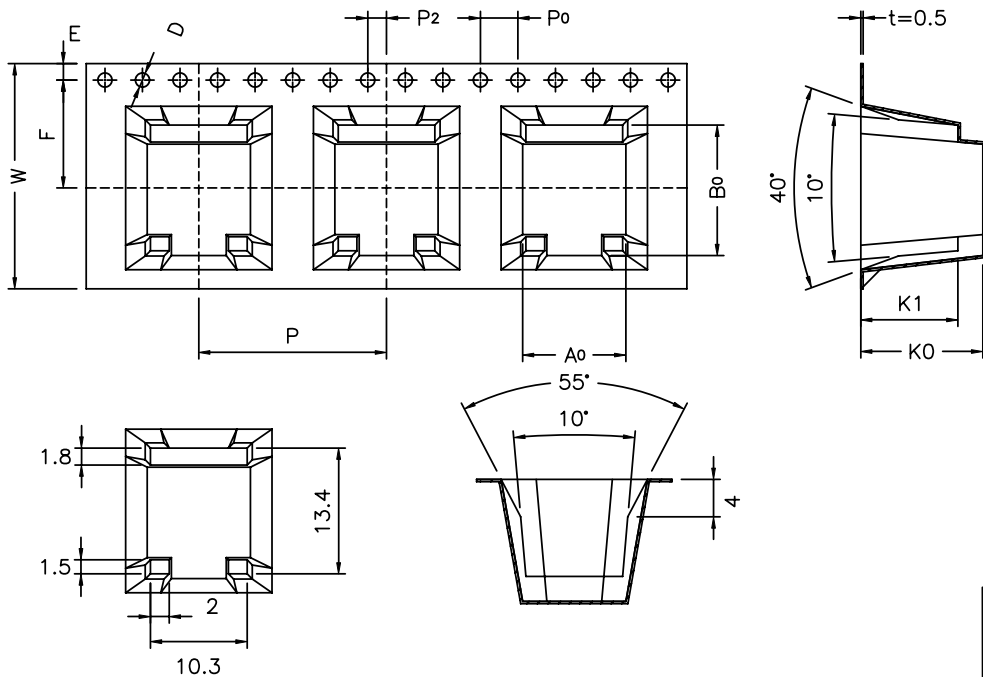
照片框

ORDER INFORMATION

DCJ-R20MM10AR-25-LF
SERIES | | | | LEADFREE
| | | | 2.50
| | | | REEL
| | | | 10Amp
DIP 90° | | METAL FOOT
| | | | POST 2.75mm

DESCRIPTION: DC POWER JACK

ITEM 項目	PARTS NAME 零件名稱	FINISH/REMARK 處理/備註
1	CONNECTOR	30000 PCS/BOX
2	BOX	12 PCS REEL/BOX
3	WATERPROOF BAG	1 PCS
4	REEL	250PCS/REEL(REFERENCE)
5	COVER TAPE	W=24mm
6	CARRIER TAPE	-----
7	LABEL	批號標籤



NOTES
 1.MATERIAL: PS (Color: black)
 2.DEFORMATION(變形)&DAMAGE(損壞): NA.(不可)
 3.PACKING: REEL

ITEM	W	A ₀	B ₀	K ₀	K ₁	P	F	E	D	D ₁	P ₀	P ₂
DIM	24.0 ^{+0.30} _{-0.10}	1.0 ^{+0.10} _{-0.10}	13.8 ^{+0.10} _{-0.10}	13.0 ^{+0.10} _{-0.10}	10.35 ^{+0.10} _{-0.10}	20.0 ^{+0.10} _{-0.10}	11.5 ^{+0.10} _{-0.10}	1.75 ^{+0.10} _{-0.10}	1.50 ^{+0.10} _{-0.00}	0.00 ^{+0.25} _{-0.00}	4.00 ^{+0.10} _{-0.10}	2.00 ^{+0.10} _{-0.10}

RoHS Compliant

TOLERANCES ARE

MORETHANALL
 PCB CONNECTORS
 Cable ASSEMBLIES

煜倫股份有限公司

www.morethanall.com

DRAWING BY CY

CHECKED BY GENIUS

UNIT / mm SCALE 1 : 1

DATE

SIZE A4

X, ±
 .X ± 0.20
 .XX ± 0.15
 .XXX ± 0.10
 ANG ± 5°

P PROJECTION

照片框

ORDER INFORMATION

DCJ-R20MM10AR-25-LF
 SERIES | | | | LEADFREE
 | | | | 2.50
 | | | | REEL
 | | | | 10Amp
 DIP 90° | | | | METAL FOOT
 | | | | POST 2.75mm

DESCRIPTION: DC POWER JACK