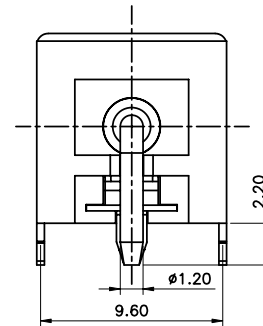
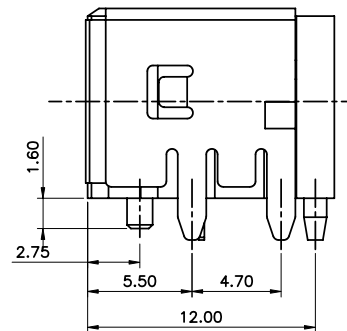
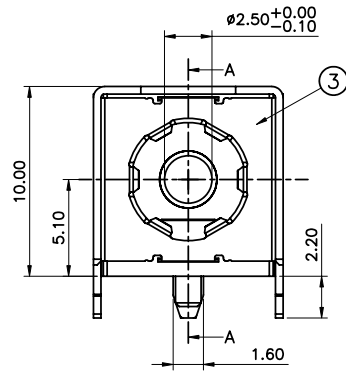
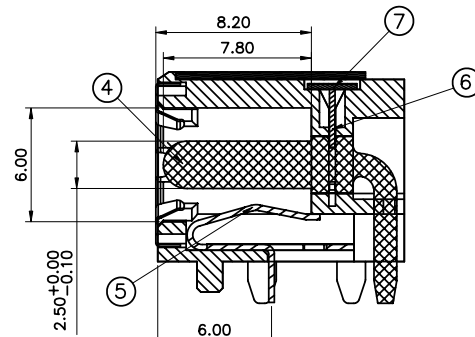
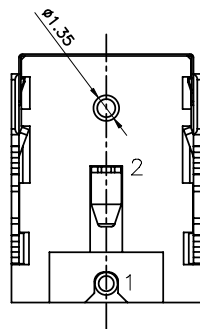


RECOMMENDED P.C.B LAYOUT  
ALL TOLERANCES ARE  $\pm 0.03$

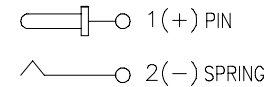
ITEM	PARTS NAME	Q'TY	MATERIAL	FINISH/REMARK
1	HOUSING	1	SYNTHETIC RESIN	UL-94-V0(Black)
2	SHELL-1	1	COPPER ALLOY T=0.4	TIN PLATING
3	SHELL-2	1	STAINLESS T=0.1	-----
4	CONTACT-1	1	COPPER ALLOY	3u" Gold Flash Over All
5	CONTACT-2	1	COPPER ALLOY T=0.3	CONTACT:3u" Gold Flash Solder Tails:Tin
6	LATCH	1	STAINLESS T=0.3	-----
7	ISOULATION FILM	1	MYLAR	-----



SPECIFICATION  
MATERIAL  
See drawing  
STANDARD DATA  
Rating:DC 20V 10A  
ELECTRICAL  
Insulator resistance: 100M ohms Min. @ 500 VDC  
Withstanding voltage: 250 VAC / minute  
Contact resistance: 50 m ohms  
MECHANICAL  
Mating force: 30N(3.06kgf) Max.  
Unmating force (Without lock): 4.2N(0.43kgf) Min.  
Durability: 5000 cycles Min.  
Contact retention force: 4.2N(0.43kgf) Min



SECTION:A-A



ELECTRICAL CIRCUIT

RoHS Compliant

TOLERANCES ARE

**MORETHANALL**  
PCB CONNECTORS  
Cable ASSEMBLIES

煜倫股份有限公司

www.morethanall.com

DRAWING BY CY

CHECKED BY GENIUS

UNIT / mm

SCALE 1 : 1

DATE

SIZE A4

PPOJECTION

X,  $\pm$   
X  $\pm$  0.20  
.XX  $\pm$  0.15  
.XXX  $\pm$  0.10  
ANG  $\pm$  5°

照片框

ORDER INFORMATION

DCJ-R20MM10A-25-LF  
SERIES | | | | LEADFREE  
| | | | 2.50  
| | | | 10Amp  
| | | | METAL FOOT  
| | | | POST 2.75mm  
| | | | DIP 90°

DESCRIPTION:DC POWER JACK