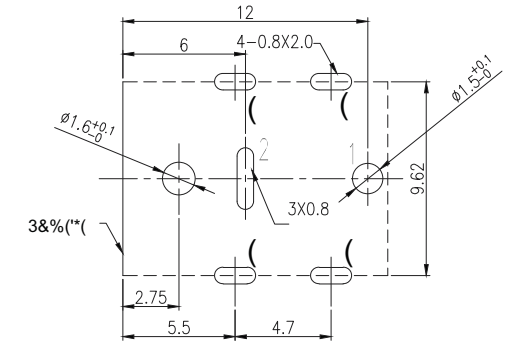
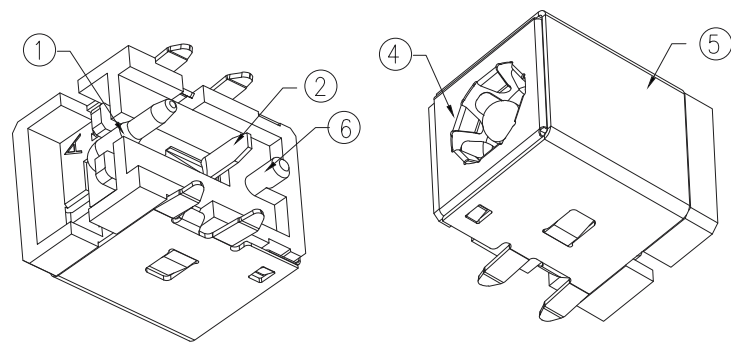


CAT. NO.	PIN	SCHEMATIC
DCJ-R20MM-25	$\phi 2.5$	



T:1.6 Dimensions of PC board holes  
Tolerance :  $\pm 0.05$ (Printed-top view)



LTR	PART NAME	QTY	MATERIAL	REMARK
6	HOUSING	1	PA10T	UL-94V0(BLACK)
5	GROUND SHIELD	1	C5191 t=0.30	Ni PLATED
4	SHIELD PLATE	1	SUS301 t=0.10	
3	PEG	1	C2680 t=0.40	
2	TIP SPRING	1	C5191 t=0.30	Ag PLATED
1	CENTER PIN	1	ZINC ALLOY	Ni PLATED

UNLESS OTHERWISE SPECIFIED, TOLERANCE ON DECIMAL:  $\pm 0.3$

RoHS Compliant

TOLERANCES ARE



煜倫股份有限公司

www.morethanall.com

DRAWING BY CY

CHECKED BY GENIUS

UNIT / mm SCALE 1 : 1

DATE

SIZE A4

X,  $\pm$   
 .X,  $\pm$   
 .XX,  $\pm$   
 .XXX,  $\pm$   
 ANG,  $\pm$

PJECTION

照片框

ORDER INFORMATION

DCJ-R20MM-25-LF  
 SERIES | LEADFREE  
 2.5 $\phi$   
 METAL FOOT  
 POST 2.75mm  
 DIP 90°

DESCRIPTION: DC POWER JACK