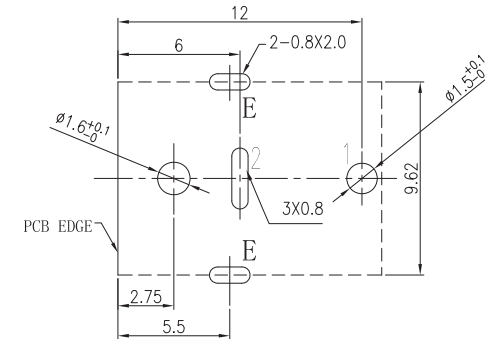
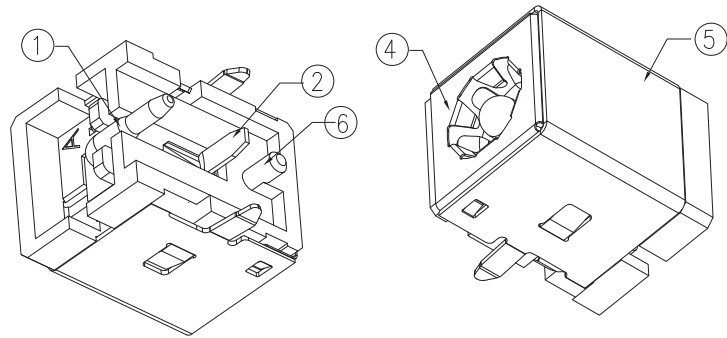


MATE PLUG Ø5.5

CAT. NO.	PIN	SCHEMATIC
DCJ-R20M-20	Ø2.0	



T:1.0 Dimensions of PC board holes
Tolerance : ±0.05(Printed-top view)



6	HOUSING	1	PA9T	UL-94V0(BLACK)
5	GROUND SHIELD	1	C5191	t=0.30 Ni PLATED
4	SHIELD PLATE	1	SUS301	t=0.10
3	PEG	1	C2680	t=0.40
2	TIP SPRING	1	C5191	t=0.30 Ag PLATED
1	CENTER PIN	1	ZINC ALLOY	Ni PLATED
LTR	PART NAME	QTY	MATERIAL	REMARK

UNLESS OTHERWISE SPECIFIED, TOLERANCE ON DECIMAL: ±0.3

RoHS Compliant

TOLERANCES ARE

MORETHANALL
PCB CONNECTORS
Cable ASSEMBLIES

DRAWING BY CY

X.±

CHECKED BY GENIUS

.X±

UNIT / mm

SCALE 1 : 1

.XX±

DATE

.XXX±

ANG±

SIZE A4

PJECTION

照片框

ORDER INFORMATION

DCJ-R20M-20-LF
SERIES | LEADFREE
2.0Ø
METAL
POST 2.75mm
DIP 90°

煜倫股份有限公司

www.morethanall.com

DESCRIPTION: DC POWER JACK