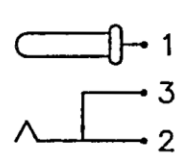
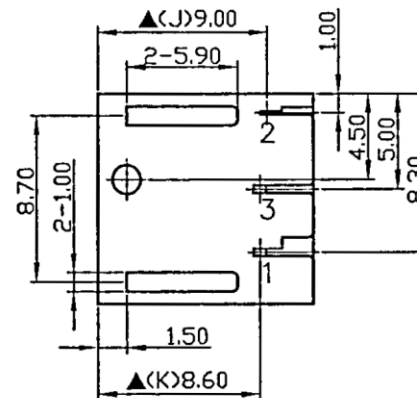
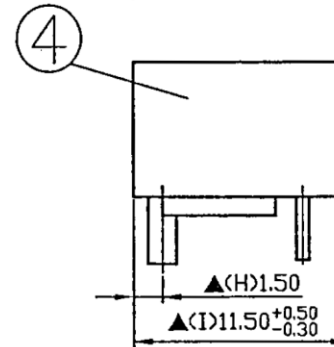
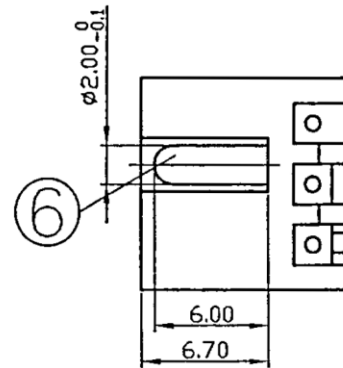
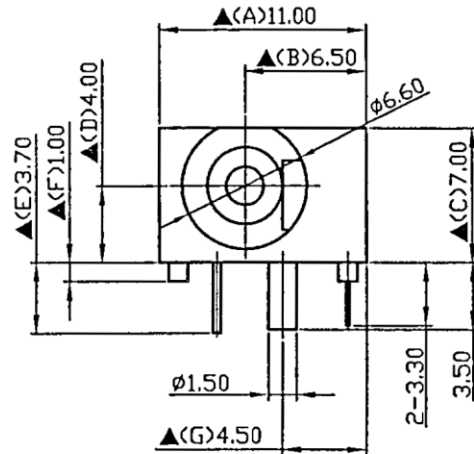
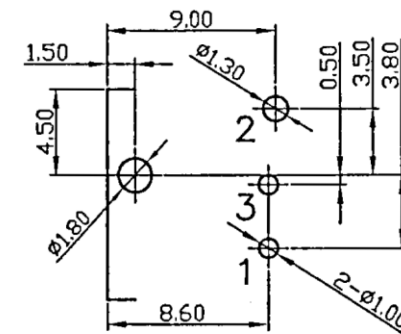
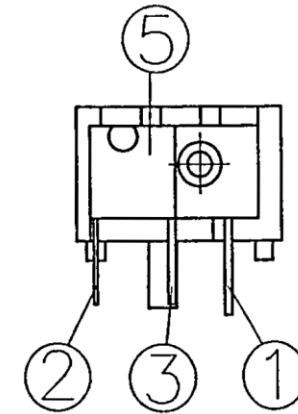


SCHEMATIC	
MODEL NO	



**SPECIFICATIONS:**

Contact Resistance : 30mΩ max  
 Current Rating : Max 5.0A , 24V DC  
 Insulation Resistance : 100MΩ min. at DC 500V  
 Dielectric Withstanding Voltage: AC 500V for one minute  
 Remark: ▲: The Most Important Dimension



Pin Hole Layout  
(Jack Bottom View)

NO.	Description	Material	Q' TY	Finish
6.	Pin(2.0φ)	Copper	1	Nickel Plated
5.	Cover	PBT+15%	1	Black Color
4.	Housing	PBT+30%	1	Black Color
3.	Break Terminal	0.4T Brass	1	Silver Plated
2.	Sleeve Spring	0.2T YcuT	1	Silver Plated
1.	Pin Terminal	0.4T Brass	1	Silver Plated

RoHS Compliant

TOLERANCES ARE

**MORETHANALL**  
PCB CONNECTORS  
Cable ASSEMBLIES

煜倫股份有限公司

www.morethanall.com

DRAWING BY CY

CHECKED BY GENIUS

UNIT / mm SCALE 1 : 1

DATE

SIZE A4

X. ±  
X ±  
.XX ±  
.XXX ±  
ANG ±

PJECTION 

照片框

ORDER INFORMATION

DCJ-R10-20-LF  
 SERIES T LEADFREE  
 2.00  
 POST 1.5+0mm  
 DIP 90°

DESCRIPTION: