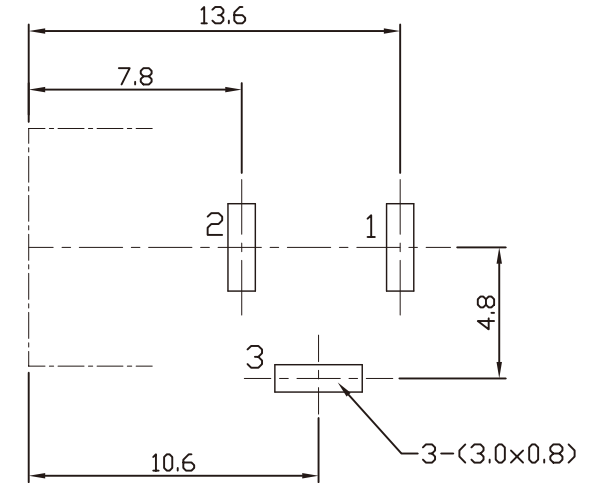
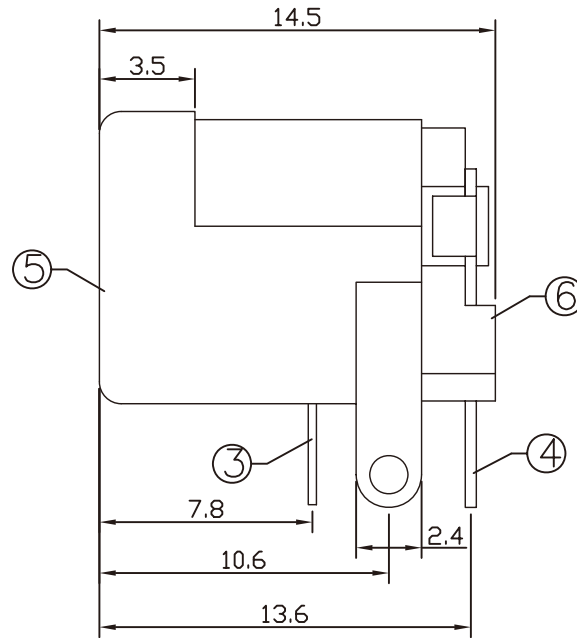
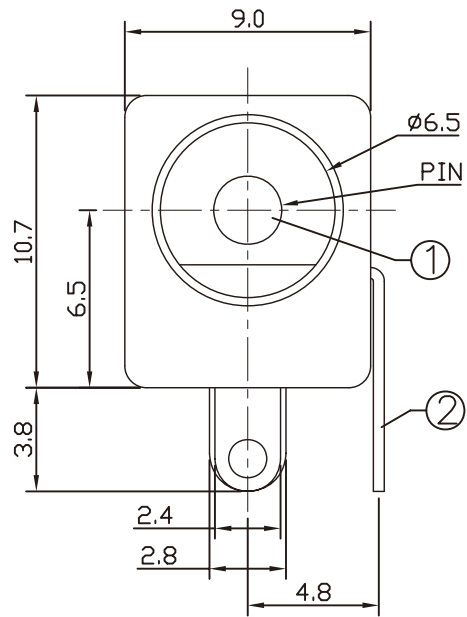


* Rated voltage/Rated current: 20V/4A



T:1.6 Dimensions of PC board holes
Tolerance : ±0.1(Printed-top view)

CAT. NO.	PIN	SCHEMATIC
DCJ-R-25	∅2.5	

DCJ-R-25-LF
LEADFREE
RoHS Compliant

UNLESS OTHERWISE SPECIFIED, TOLERANCE ON DECIMAL: ±0.3

6	COVER	1	PBT 4815	UL-94V0(BLACK)
5	HOUSING	1	PBT 4815	UL-94V0(BLACK)
4	FLAT PIECE	1	C2680 t=0.4	MB:Cu Sn PLATED
3	SPRING	1	C5191 t=0.3	MB:Cu Sn PLATED
2	CURVE PIECE	1	C2680 t=0.4	MB:Cu Sn PLATED
1	PIN	1	H59(COPPER ALLOY)	MB:Cu Ni PLATED
LTR	PART NAME	QTY	MATERIAL	REMARK



PART NO. DCJ-R-25

DWG NO. DCJ-R-25

FILE NO.

CHECKED BY CY

DRAWING BY

TOLERANCES ARE

.X ± 0.2
.XX ±
.XXX ±
AWG

DESCRIPTION: DC POWER JACK

煜倫股份有限公司

UNIT / mm

SCALE 1:1

PROJECTION

AREA	REVISIONS	HK	DATE
------	-----------	----	------