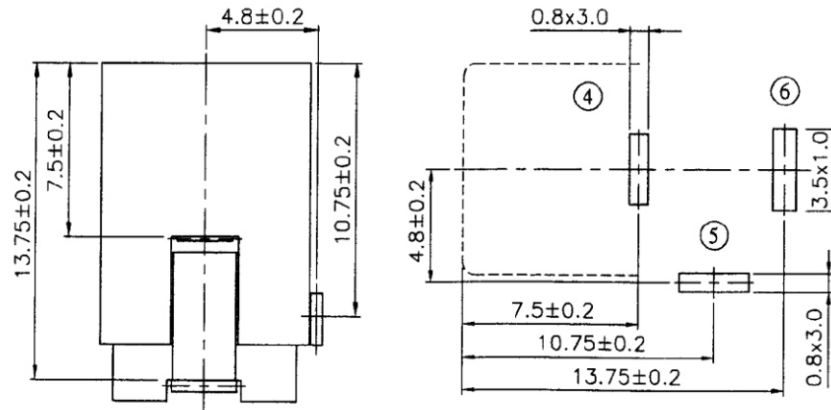


SPECIFICATIONS:

1. RATED VOLTAGE: 16V RMS. AT SEA LEVEL
2. RATED CURRENT: 3 AMPS
3. CONTACT RESISTANCE: 30m OHM MAX.
4. INSULATION RESISTANCE: 50M OHM MIN. AT 100 OR 200V DC FOR 1 MINUTE.
5. DIELECTRIC WITHSTANDING VOLTAGE: 250V AC MIN. FOR 1 MINUTE.
6. LIFE TEST: WITHSTAND 5,000 CYCLES MIN. INSERTION AND WITHDRAWAL WITH TEST PLUG.



未指定尺寸公差為±0.2mm

**PCB LAYOUT
(TOP VIEW)**

6.	TERMINAL	1	BRASS 0.5t	TIN	
5.	SHUNT TERMINAL	1	BRASS 0.5t	TIN	
4.	TIP SPRING	1	PBS 0.3t	TIN	
3.	PIN	1	BRASS BAR	NICKEL PLATED	
2.	COVER	1	PBT		UL94V-0
1.	BODY	1	PBT		UL94V-0
P/N	PART NAME	Q'TY	MATERIAL	PLATING	REMARKS

RoHS Compliant

TOLERANCES ARE

MORETHANALL
PCB CONNECTORS
Cable ASSEMBLIES

DRAWING BY CY

X.±

CHECKED BY GENIUS

.X±

UNIT / mm

SCALE 1:1

.XX±

DATE

.XXX±

ANG±

SIZE A4

PPOJECTION

照片框

ORDER INFORMATION

DCJ-R-165-LF
SERIES | LEADFREE
1.650
DIP 90°

煜倫股份有限公司

www.morethanall.com

DESCRIPTION: