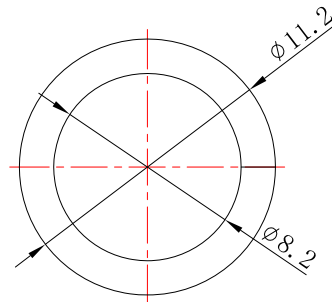
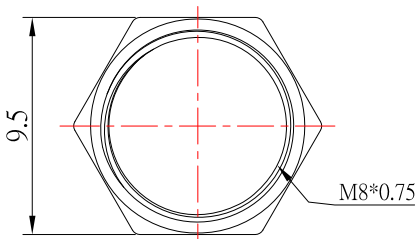


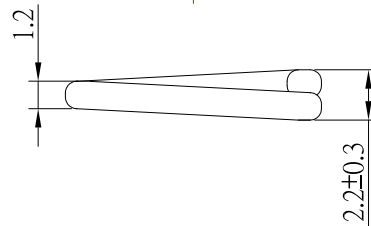
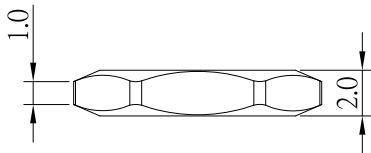
P.C.B LAYOUT MOUNTING PATTERN



MODEL NO.	DCJ-DPBT5NW-xx
SCHEMATIC	1 2 3
CENTER PIN	φ2.0mm
	φ2.5mm

SPECIFICATION

- 1.Rating : DC 30V, 4.0A
- 2.Contact resistance : ≤ 30mΩ
- 3.Insulation resistance : ≥ 100MΩ
- 4.Withstand voltage : 500VAC
- 5.Insertion and extraction force : 3-20N
- 6.life test : 5,000 cycles



NO.	DESCRIPTION	QTY	MATERIAL	PLATING
8	SPLIT WASHER	1	IRON	Ni-Plating
7	NUT	1	BRASS	Ni-Plating
6	HOUSING	1	PBT	
5	AXIS SUPPORT	1	BRASS	Ni-Plating
4	PIN	1	BRASS	Ni-Plating
3	SPRING	1	BRONZE	Sn-Plating
2	2# CURVE PIECE	1	BRASS	Sn-Plating
1	1# CURVE PIECE	1	BRASS	Sn-Plating

RoHS Compliant

TOLERANCES ARE



煜倫股份有限公司

www.morethanall.com

DRAWING BY CY

CHECKED BY GENIUS

UNIT / mm

SCALE 1 : 1

DATE

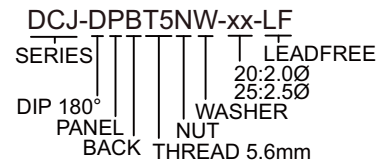
SIZE A4

PJECTION

Up to 5 ±0.2
Above 5 ~ 15 ±0.3
Above 15 ~ 30 ±0.4
Above 30 ~ 50 ±0.5
Angle ±0.3°

照片框

ORDER INFORMATION



DESCRIPTION: DC JACK