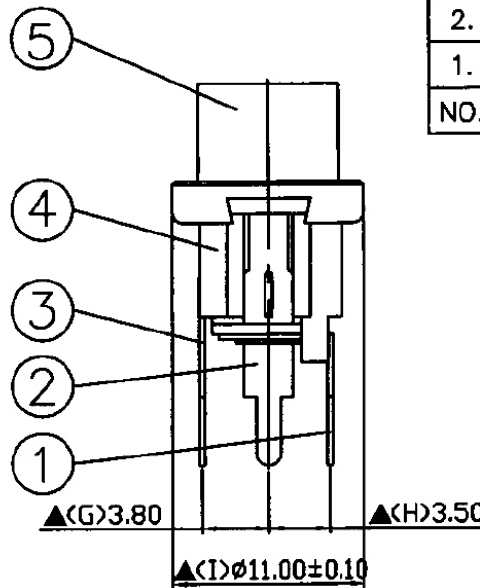
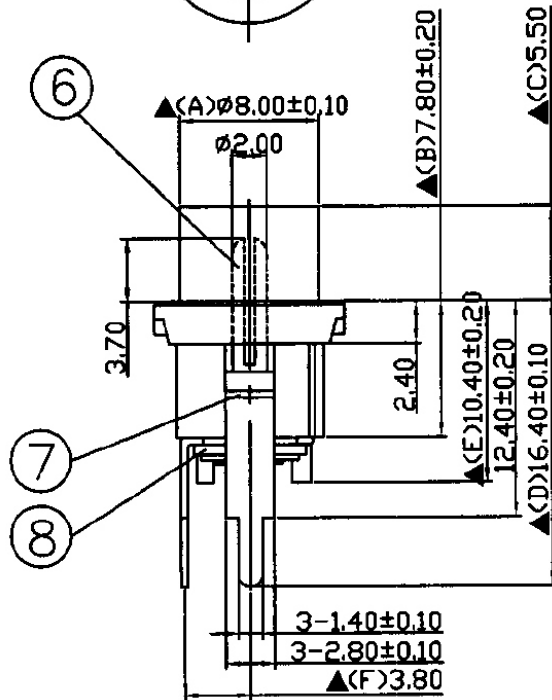


Pin Hole Layout  
(Jack Bottom View)



NO.	Description	Material	Q'TY	Finish
8.	Insulator B	Bakelite	1	Red Color
7.	Insulator A	Bakelite	1	Red Color
6.	Pin(2.0 $\phi$ )	Copper	1	Nickel Plated
5.	Bushing	Brass	1	Nickel Plated
4.	Housing	PBT	1	Black Color
3.	Break Terminal	0.3T Brass	1	Silver Plated
2.	Sleeve Spring	0.4T Phosphor Bronze	1	Silver Plated
1.	Pin Terminal	0.3T Brass	1	Silver Plated

SPECIFICATIONS:

Contact Resistance : 30m $\Omega$  max  
 Insulation Resistance : 100M $\Omega$  min. at DC 500V  
 Dielectric Withstanding Voltage: AC 500V for one minute  
 Remark: ▲: The Most Important Dimension

RoHS Compliant

TOLERANCES ARE

**MORETHANALL**  
PCB CONNECTORS  
Cable ASSEMBLIES

DRAWING BY CY

X.  $\pm$

CHECKED BY GENIUS

.X  $\pm$

UNIT / mm

SCALE 1 : 1

.XX  $\pm$

DATE

.XXX  $\pm$

ANG  $\pm$

SIZE A4

PPOJECTION

照片框

ORDER INFORMATION

DCJ-DPB33-20-LF  
 SERIES | | | LEADFREE  
 | | | 2.0 $\phi$   
 | | | 3.8mm+3.8mm  
 BACK  
 PANEL  
 DIP 180°

煜倫股份有限公司

www.morethanall.com

DESCRIPTION: