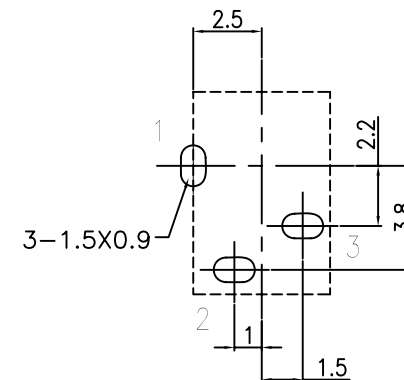
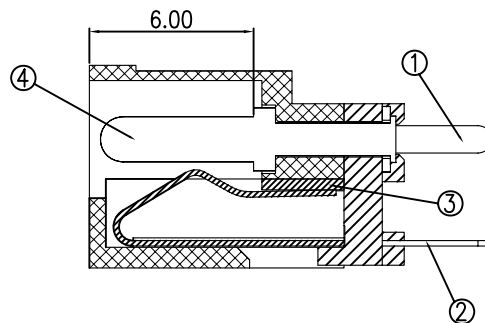
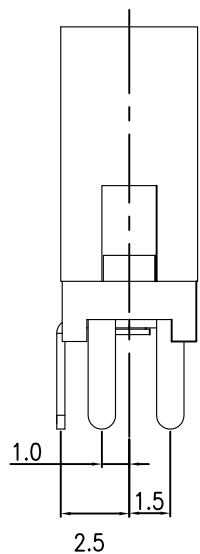
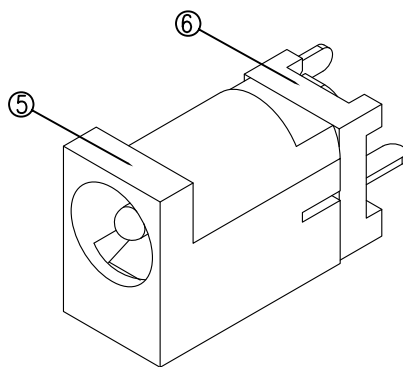


CAT. NO.	PIN	SCHEMATIC
DCJ-DH11-13	$\phi 1.3$	



T:1.6 Dimensions of PC board holes  
Tolerance :  $\pm 0.05$ (Printed-top view)



UNLESS OTHERWISE SPECIFIED, TOLERANCE ON DECIMAL:  $\pm 0.3$

6	COVER	1	PA9T	UL-94V0(BLACK)
5	HOUSING	1	PBT 4815	UL-94V0(BLACK)
4	PIN	1	H59(COPPER ALLOY)	Ni PLATED
3	SHUNT TERMINAL	1	C2680 t=0.40	Ag PLATED
2	SPRING PIECE	1	SUS301 t=0.20	Ag PLATED
1	FLAT PIECE	1	C2680 t=0.30	Ag PLATED
LTR	PART NAME	QTY	MATERIAL	REMARK

RoHS Compliant

TOLERANCES ARE

**MORETHANALL**  
PCB CONNECTORS  
Cable ASSEMBLIES

煜倫股份有限公司

www.morethanall.com

DRAWING BY CY

CHECKED BY GENIUS

UNIT / mm SCALE 1 : 1

DATE

SIZE A4

X,  $\pm$   
.X  $\pm$   
.XX  $\pm$   
.XXX  $\pm$   
ANG  $\pm$

P PROJECTION

照片框

ORDER INFORMATION

DCJ-DH11-13-LF  
SERIES | LEADFREE  
1.3 $\phi$   
HIGH 11.5mm  
180° SMT

DESCRIPTION: DC POWER JACK