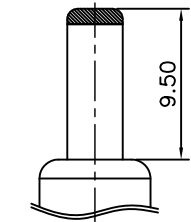
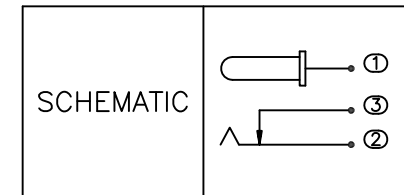
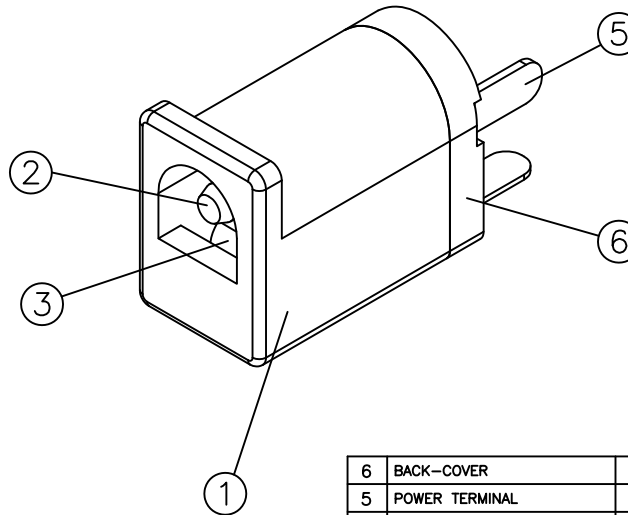
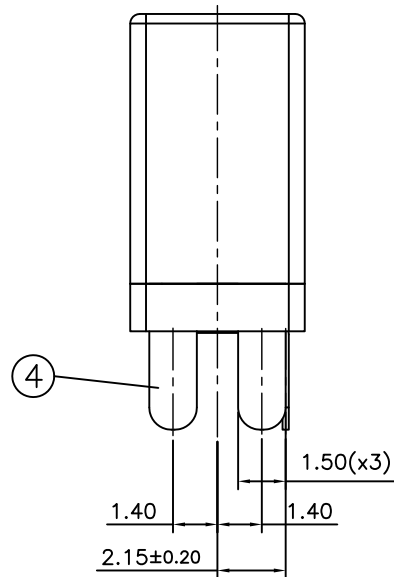


COMMENDED PCB LAYOUT(TOP VIEW)  
ALL TOLERANCE  $\pm 0.03$  mm



DC MATE PLUG



6	BACK-COVER	1	P.B.T.	BLACK	-
5	POWER TERMINAL	1	COPPER ALLOY	Nickel 80u" plated	-
4	CONTACT TERMINAL	1	COPPER ALLOY	Nickel 80u" plated	-
3	SPRING TERMINAL	1	STAINLESS	Nickel 80u" plated	-
2	MATERIAL PIN	1	COPPER ALLOY	Nickel 80u" plated	-
1	HOUSING	1	P.B.T.	BLACK	-
NO.	PART NAME	Q'TY	MATERIAL	FINISH	REMARKS

RoHS Compliant

TOLERANCES ARE

**MORETHANALL**  
PCB CONNECTORS  
Cable ASSEMBLIES

DRAWING BY CY

X,  $\pm$

CHECKED BY GENIUS

.X  $\pm$

UNIT / mm

SCALE 1 : 1

.XX  $\pm$

DATE

.XXX  $\pm$

ANG  $\pm$

SIZE A4

PPOJECTION



ORDER INFORMATION

DCJ-DH10-13-LF  
SERIES | LEADFREE  
1.35 $\phi$   
HIGH 10mm  
180° SMT

煜倫股份有限公司

www.morethanall.com

DESCRIPTION: JACK DIAMETER 1.35mm