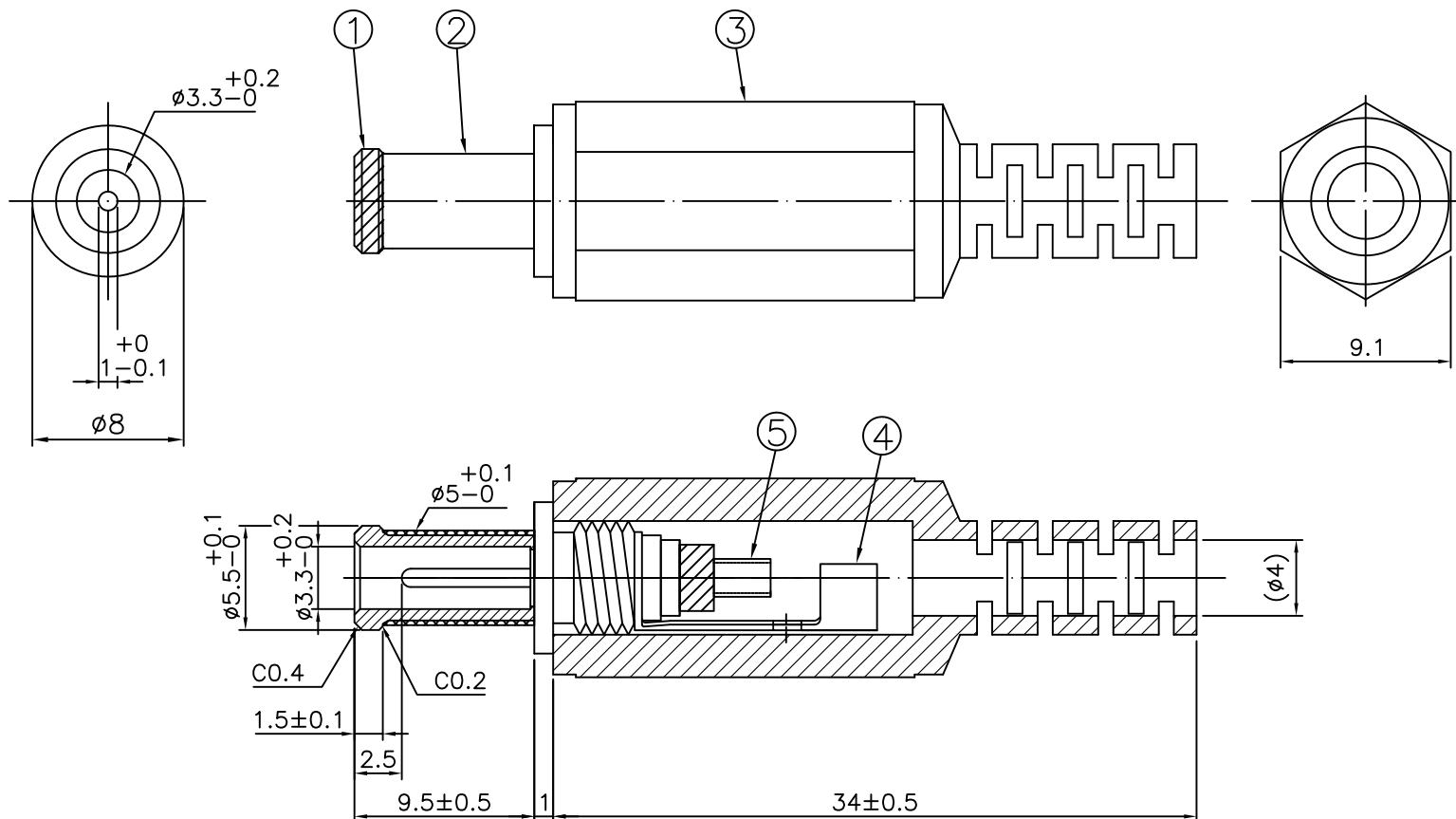


一般公差	
尺寸區分	公差
0>1.0	±0.1
1.0>6.0	±0.2
6.0>12.0	±0.3
12.0>25.0	±0.4
25.0>	±0.5



5	BRASS NICKEL
4	BRASS NICKEL
3	TPR BLACK
2	BRASS NICKEL
1	POM YELLOW
NO	CONTENT

1. Dielectric strength: AC 500V at 1minute.
2. Insulation resistance: DC 500V/100M Ohms min.
3. Rated voltage: 24V DC.
4. Rated current: 5A.

RoHS Compliant

TOLERANCES ARE

MORETHANALL
PCB CONNECTORS
Cable ASSEMBLIES
煜倫股份有限公司

DRAWING BY CY

CHECKED BY GENIUS

UNIT / mm SCALE 1 : 1

DATE

SIZE A4

X, ±
.X ±
.XX ±
.XXX ±
ANG ±

PPOJECTION



ORDER INFORMATION

DCJ-A-5510-LF
SERIES LEADFREE
ID:1.1Ø
OD:5.5Ø
ASSEMBLY

DESCRIPTION: **AEESMBLY TYPE DC PLUG $\phi 5.0 * \phi 1.0$**

www.morethanall.com