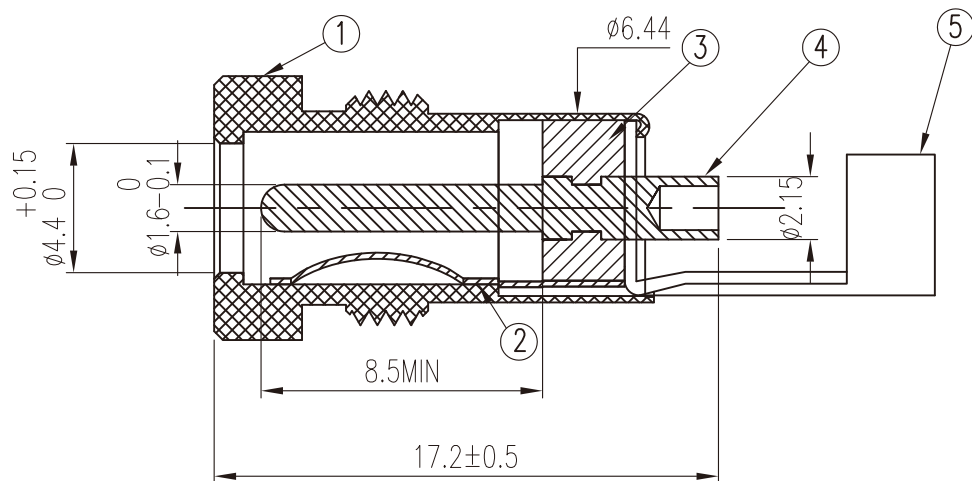
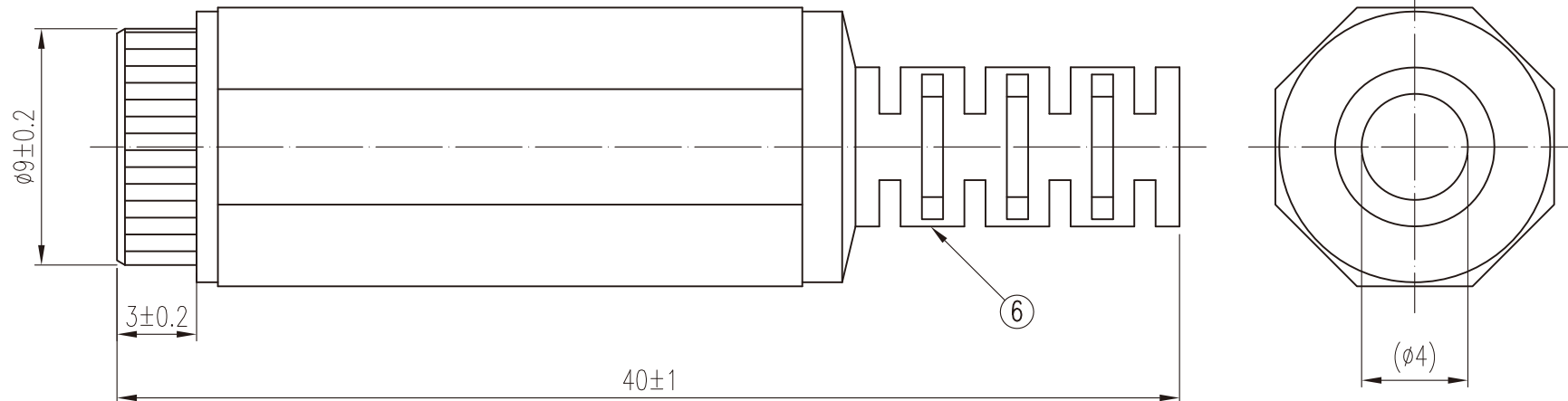


一般公差	
尺寸區分	公差
0>1.0	±0.1
1.0>6.0	±0.2
6.0>12.0	±0.3
12.0>25.0	±0.4
25.0>	±0.5



6	TPR BLACK
5	IRON NICKEL
4	BRASS NICKEL
3	PBT BLACK
2	P-BRONZE NICKEL
1	BRASS NICKEL
NO	CONTENT

RoHS Compliant

TOLERANCES ARE

MORETHANALL
PCB CONNECTORS
Cable ASSEMBLIES

煜倫股份有限公司

www.morethanall.com

DRAWING BY CY

CHECKED BY GENIUS

UNIT / mm SCALE 1:1

DATE

SIZE A4

X. ±
.X ±
.XX ±
.XXX ±
ANG ±

PJECTION

照片框

ORDER INFORMATION

DCJ-A-4017-LF
SERIES | LEADFREE
ID: 1.7Ø
OD: 4.0Ø
ASSEMBLY

DESCRIPTION: DC JACK 4.0*1.7 (Asby Tyqe)